



DECO | LIGHTING

VINCI-LED

Wall/Area/Flood Lighting

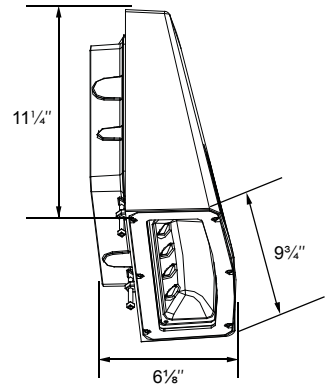
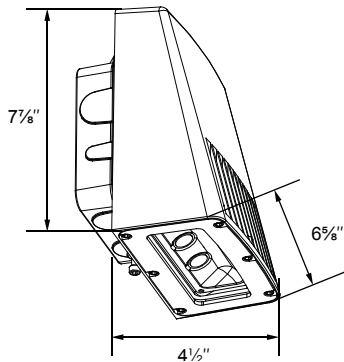


Job Information

Type:	
Catalog #:	
Project:	
Comments:	
Prepared by:	

Vinci

Vinci Large



Applications

- Wall/Surface
- Post/Bollard
- Low Level
- Flood Lighting
- Inverted
- Site Lighting

Description

The Vinci is an architectural style LED wall luminaire providing efficient light output using high performance, long-life LED chipsets. With a sturdy die-cast aluminum construction, this low-profile fixture includes a universal back box, stainless steel hardware and a sealed, gasketed optical compartment which secures the Vinci from outside contaminants. Designed for floodlight, pathway illumination, wall/surface applications, inverted mount for canopy lighting, post and bollard and site lighting. Common applications include school and institution, warehouse, apartment and condominium complexes, loading docks and more. Rated lifetime is 125,000 Hours (L70)

Ordering Information

Example: (VINCI-LED-80-40-UNV-BZ-YM)

VINCI-LED					
-----------	--	--	--	--	--

Series	Wattage/Lumen	Color Temp.	Voltage	Finish	Option
Wall/Area/Flood Lighting	10	10W/1200 ^{3,4}	UNV 120-277V	BZ Bronze ¹ WH White	PC Photocell (120-277V) ^{2,5} HK Heavy Duty Adjustable Knuckle
	20	20W/2490 ^{3,4}			
	30	30W/3310 ^{3,4}			YM Yoke Mount ^{2,5} SF Slip Fitter ^{2,5} PM Pole Mount ^{2,5}
	50	50W/6400 ^{2,3,4}			
	80	80W/8950 ^{2,3,4}			

¹ Standard for fixture

² Vinci Large Model Only

³ Delivered Lumens (5000K) -- See table on Page 2

⁴ DLC Listed Wattage -- See DLC matrix on Page 2

⁵ 10W, 20W, 30W Require Pencil Photocell (See Page 2)



Deco Lighting practices a program of continuous product development, and as a result product specifications change frequently. We reserve the right to change product specifications without notice. Contact Deco for the latest product information.

©2018 Deco Lighting, www.getdeco.com T: (800) 613-DECO F: (310) 366-6855
Rev Date: 04/23/18 #9

Digitize your light.®

Features

• Construction

Low-profile die-cast aluminum LED fixture with hinged, removable door and back box. Available from 10W up to 80W. Three half-inch, NP threaded conduit entry points included in back box, which mounts to standard 3 1/2" to 4" round and octagonal, 4" square, single gang and masonry junction boxes. Key hole gasket adapts to j-box and wall. Silicone gasket seals the door and back box. Compliance to FDA/USDA requirements and/or NSF splash-zone certification. CSA Listed for Wet Locations - IP67

• Optical

Mirrored, anodized reflector located inside silicone-sealed optical chamber to provide maximum efficiency and high illumination. Impact-resistant tempered glass included in optical assembly, meeting IESNA requirements for full cutoff. Solid state LEDs thermally optimized with multiple lumen packages from a warm 3000K LED color temp to a cool 5000K (CCT).

• Electrical

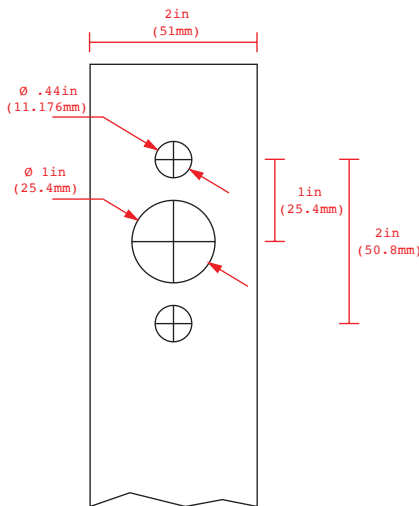
120-277V 50/60Hz. Heat sinking optimization due to LED driver mounted to fixture's die-cast housing. Thermal management system uses conduction and natural convection to transfer heat away from LED source. Three half-inch NPT threaded conduit entry points allow thru-branch wiring and the back box is an authorized electrical wiring compartment. Vinci-LED luminaires maintain greater than 70% of initial light output after 120,000 hours of operation.

Line-Line Surge Protection: 1kV (10W), 2kV (20W-30W), 4kV (50W-80W)

• Finish

The Vinci features a super durable DECO Guard carbon bronze powder coat finish which can withstand extreme climate conditions while still maintaining optimal color and gloss retention during the installed life of the fixture.

Pole Mount Drilling Pattern



Universal Pencil Photocell (10-30W Models)



Performance Data

CRI:	82+			
CCT:	3000K, 4000K, 5000K			
Warranty:	10 yr. Warranty with Labor Allowance			
Dimming:	0-10V Dimming Standard, 100% down to 10%			
Operating Temperature:	-40°C to +50°C Max Ambient			
Projected Lifetime:	125,000 Hours (L70); 75,000 Hours (L80)			
IP Rating:	IP67			
Power Factor	> 0.90			
Total Harmonic Distortion (THD):	< 20%			
Sound Rating:	Class A (inaudible in a 24dB ambient environment)			
BUG Rating (10-30W):	Type III	B2	U1	G1
BUG Rating (50-80W):	Type III	B3	U1	G1

Lumen Output

Lumen Chart			
Nominal Wattage	System Wattage	5000K Lumens	LPW (lm/W)
10W	10.3	1200	117
20W	21.1	2490	118
30W	28.0	3310	118
50W	53.0	6400	121
80W	80.4	8950	111

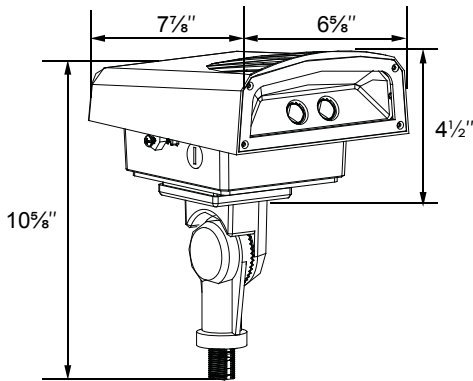
CCT Multiplier Factors: 5000K - 1.00; 4000K - 0.95; 3000K - 0.90

DLC Listed

	10W	20W	30W	50W	80W
3000K					
4000K	X	X	X	X	X
5000K	X	X	X	X	X

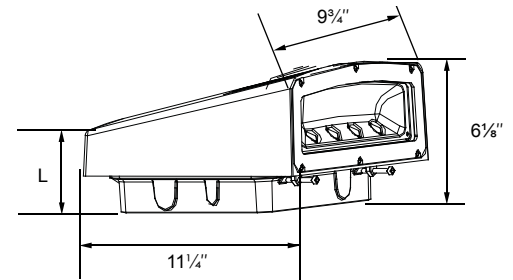
DLC-listed models above are listed under Flood, Area, and Wall-Mount primary use categories

Vinci



Vinci Large

Length with mount (L):
 Yoke (YM): 11⁷/₈"
 Knuckle (HK): 11⁷/₈"
 Slipfitter (SF): 13³/₈"
 6" Pole Mount Arm (PM): 13"



Heavy Duty Adjustable Knuckle



Heavy Duty Adjustable Knuckle



Yoke Mount



Slip Fitter

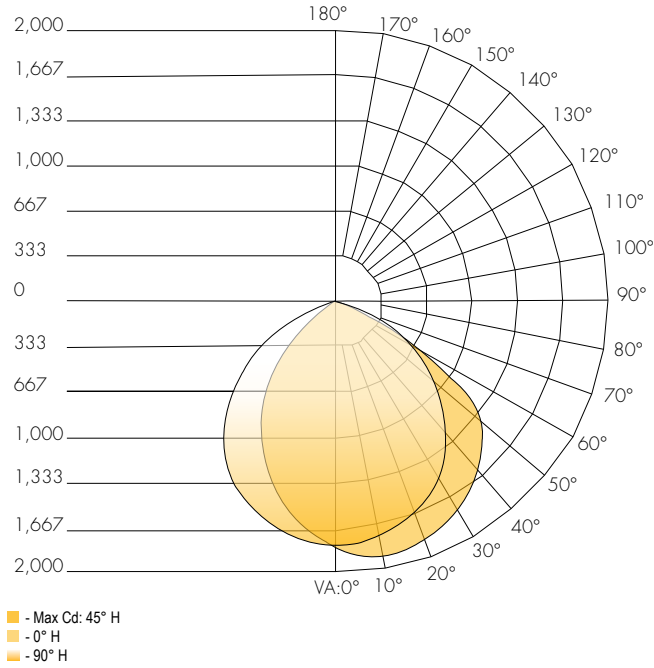


6" Pole Mount Arm

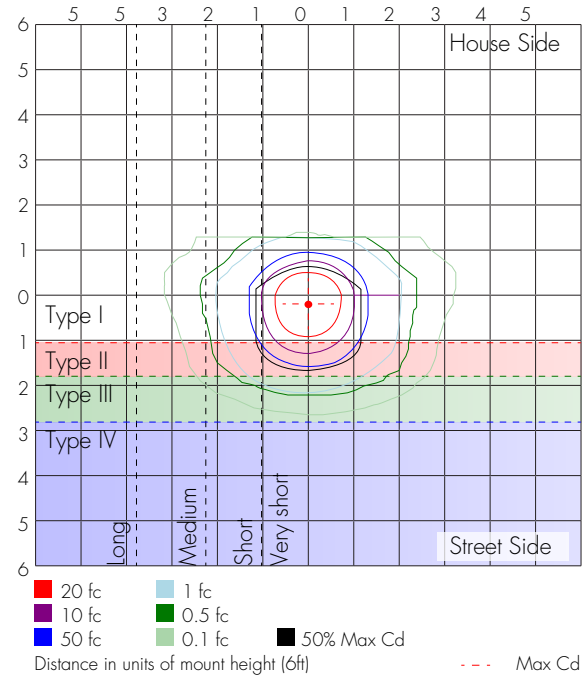
Photometric Data

30W 4000K

Polar Candela Distribution



Isolux Plot



Zonal Lumen Summary

Zone	Lumens	%Luminaire
0-30	1,085.4	34.5%
0-40	1,746.1	55.5%
0-60	2,867.4	91.2%
50-90	277.2	8.8%
70-100	47.3	1.5%
90-120	0.001	0%
0-90	3,144.6	100%
90-180	0.001	0%
0-180	3,144.6	100%

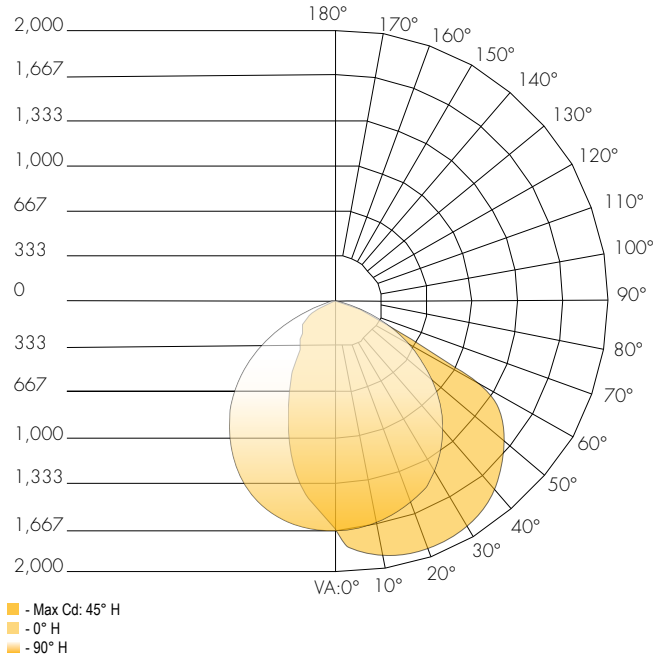
Deco Lighting practices a program of continuous product development, and as a result product specifications change frequently. We reserve the right to change product specifications without notice. Contact Deco for the latest product information.

©2018 Deco Lighting, www.getdeco.com T: (800) 613-DECO F: (310) 366-6855
Rev Date: 04/23/18 #9

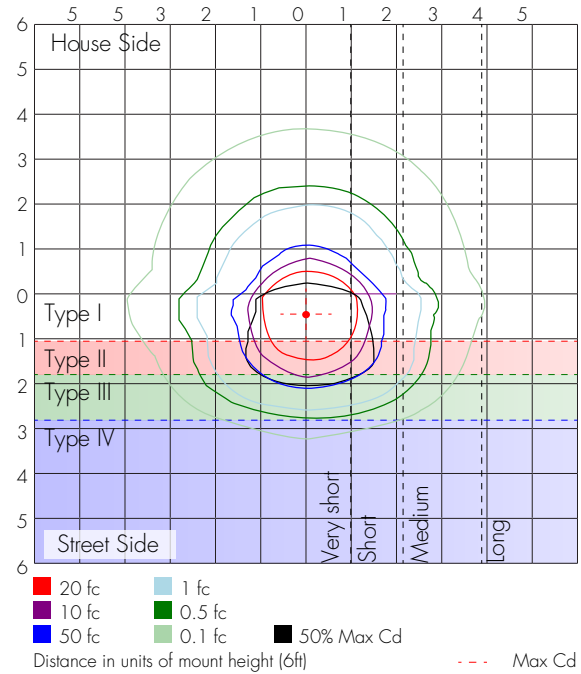
Photometric Data

80W 4000K

Polar Candela Distribution



Isolux Plot



Zonal Lumen Summary

Zone	Lumens	%Luminaire
0-30	2,587.5	31.5%
0-40	2,149.5	50.5%
0-60	7,147.0	87.1%
60-90	1,062.2	12.9%
70-100	214.1	2.6%
90-120	0.1	0%
0-90	8,209.1	100%
90-180	0.01	0%
0-180	8,209.2	100%

LCS Graph

