



SKYLER™ 2.0

Volumetric LED Flat Panel Luminaire

Client: _____
Project Name: _____

Order #: _____
Type: _____ Qty: _____

Performance Data

CRI
90+

CCT
2700K, 3000K, 3500K, 4000K

Projected Lifetime

>173,000 Hours (L70);
>50,000 Hours (L90)

Dimming

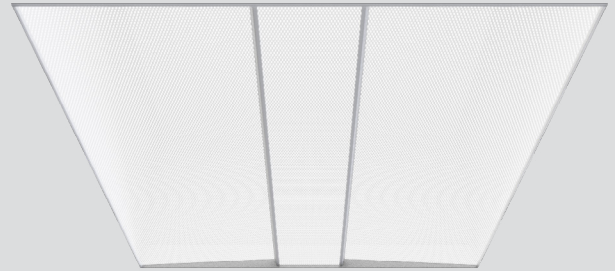
1% Dimming Standard

Operating Temperature

-40°C to +50°C

Warranty

5 year Standard
10 year Optional



Select A
Watt
Technology

DECO MESH™ TEMPER SWITCH™
3000 | 3500 | 4000



Description

The Skyler 2.0 recessed volumetric back lit panel luminaire is an innovative LED fixture designed to deliver a modern aesthetic and complement today's interior spaces. Featuring a low-profile form factor, the Skyler 2.0 is ideal for buildings with a low plenum space and is suitable for all standard 1x4, 2x2 or 2x4 grid ceilings. Incorporating back-lit LED technology and micro-prismatic conical structures in the diffuser lens, the Skyler features a Unified Glare Rating (UGR) of less than 19, delivering light where it is needed and reducing direct glare to inhabitants. This creates a soft and comfortable lighting experience for commercial and institutional spaces including open offices, classrooms, retail and healthcare facilities.

Features

- Extruded aluminum frame powder coated white
- Light emitting surfaces are back-lit acrylic for uniform illumination
- Micro-prismatic lens delivers a Unified Glare Rating (UGR) of less than 19
- FCC Compliant
- Die formed CRS housing, powder coated white
- Temperswitch allows users to select between 4000K, 3500K, and 3000K in the field by simply switching an easily accessible three position switch. Fixture comes set/standard at 40K.
- Meets CCEA Chicago Plenum Compliant
- Wattages are selectable: 1x4 and 2x2 (20W,26W,35W), 2x4 (26W,35W,45W). The fixture is set at 35W.

SKYLER

UNV

Ordering Information

A FIXTURE SERIES

SKYLER Skyler 2 Volumetric Luminaire

B SIZE

14	1' x 4'
22	2' x 2'
24	2' x 4'

C WATTAGE/LUMENS (SIZE 14)

20	20W/1980 ^{1,2}
26	26W/2574 ¹
35	35W/3465 ^{1,5}

WATTAGE/LUMENS (SIZE 22)

20	20W/2020 ^{1,2}
26	26W/2626 ¹
35	35W/3535 ^{1,5}

WATTAGE/LUMENS (SIZE 24)

26	26W/2444 ¹
35	35W/3290 ^{1,5}
45	45W/4230 ¹

D CCT

303540 3000K-3500K-4000K

VOLTAGE

E UNV 120-277V

F BLUETOOTH

BT Bluetooth DECO Mesh™²

G OPTIONS

E Emergency

H WARRANTY³

-	5 Year Warranty
10	10 Year Warranty
10L	10 Year Warranty including labor

¹ Delivered Lumens (4000K)

² Not available with Deco Mesh

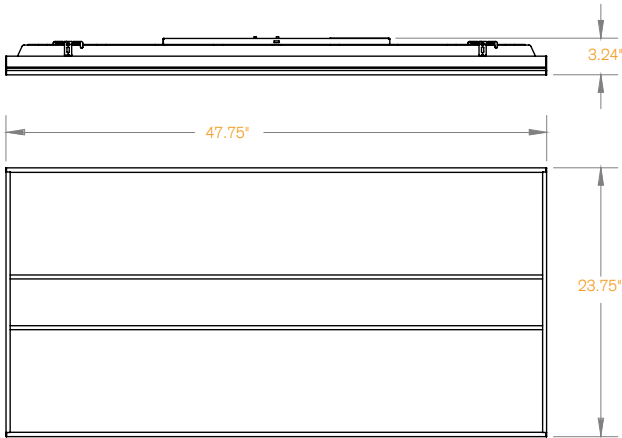
³ 1% Dimming when ordered with Bluetooth

⁴ 5 Year Warranty is Standard unless specified

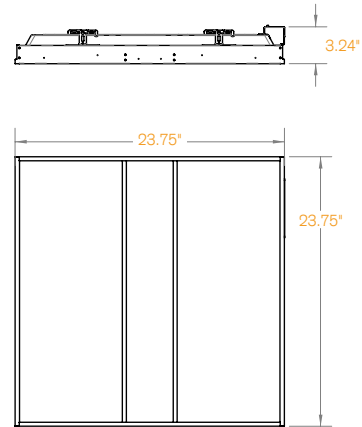
⁵ Factory set at this wattage, unless specified

Dimensions

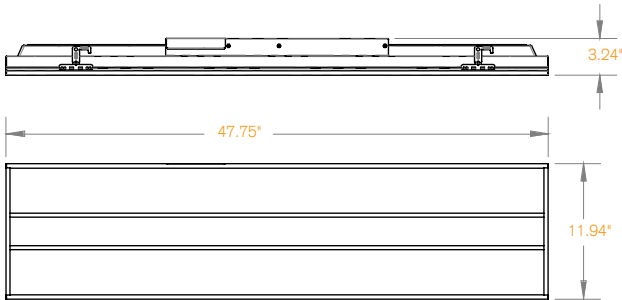
2x4



2x2



1x4



Lumen Chart

Size	Sys Watt	3000K	LPW	3500K	LPW	4000K	LPW
1x4	26	2375	91	2392	92	2574	99
	35	3197	91	3220	92	3465	99
2x2	26	2418	93	2444	94	2626	101
	35	3255	93	3290	94	3535	101
2X4	26	2262	87	2288	88	2444	94
	35	3045	87	3080	88	3290	94
	45	3915	87	3960	88	4230	94

Unified Glare Rating (UGR)

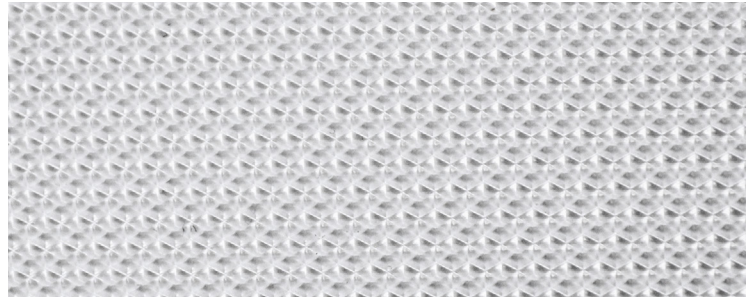
DECO LED Flat Panel with Flat Optix™ Lens:

- Light is redirected from 60° to 90° degrees of luminaire, UGR <19
- Conical structures built into the lens minimize high angle glare
- Allows for increased efficacy, rather than lumen output glaring at occupants
- High efficiency and energy saving
- Protection class: IP44 Damp Location Rated
- Increased productivity



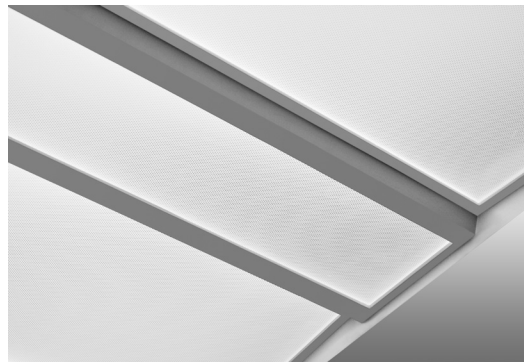
□ = Volumetric flat panel with micro-prismatic lens will reduce glare going into the occupant's eyes
 — = 90° = 60°

Flat Optics™ Detail



Micro-prismatic technology redirects high-angle light, reducing visual glare. The light above 60° is suppressed to improve the Unified Glare Rating (UGR). This allows for the luminaire to be IESNA RP1-04 & EN12464 compliant, which are standards for office and indoor lighting.

Close-Up View



Standard LED Flat Panel:

- Harsh glare at viewing angles above 60°, UGR >24
- Wide beam angle at 120°
- Uncomfortable glare
- Reduction in visibility caused by intense light source in field of view
- Protection class: IP22 protects only from objects greater than 12 millimeters
- Loss of productivity



■ = High glare flat panel makes occupant's eyes feel uncomfortable
 — = 90° = 60°

UGR Criteria

UGR:	Hopkinson's Criterion:
<10	Imperceptible
<13	Just Perceptible
<16	Perceptible
<19	Acceptable
>22	Unacceptable
>25	Just Uncomfortable
>28	Uncomfortable

Micro-prismatic conical structures provide the most optimal luminance of a fixture from any viewing angle. The UGR rating of less than 19 provides the most acceptable glare for task lighting.