



VECTOR 2™ RECESSED

Recessed Hard Ceiling

Client: _____
Project Name: _____

Order #: _____
Type: _____ Qty: _____

Performance Data

CRI

95 min with R9 of 69 or better

CCT

2700K, 3000K, 3500K, 4000K,
5 Channel Color Tuning

Projected Lifetime

240,000 Hours (L80);
110,000 Hours (L90)

Dimming

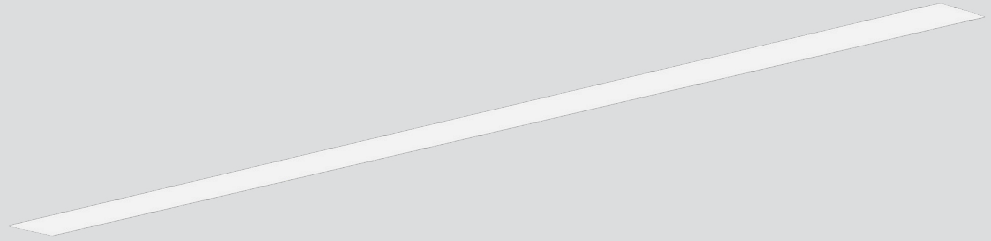
0-10V dimming standard

Operating Temperature

-30°C to +55°C (-22°F to +131°F)

ETL Listed

Approved for dry and damp
locations



Description

The Vector 2 is a 2⁷/₁₆" wide linear architectural luminaire. While the Vector has a slim and discreet profile, it provides excellent illumination for offices, laboratories, libraries, and commercial spaces. Vector Quickship is available in standard lengths of 4' and 8', and can be joined together in seamless runs of any length in 1 foot increments.

Features

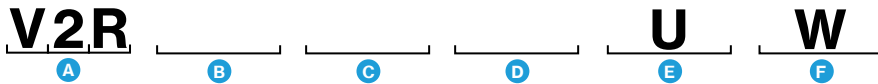
PERFORMANCE

- Selected by IES for the 2017 Progress Report
- Up to 1102 lm/ft direct at 3500K

PHYSICAL

- Flanged luminaire: for Flangeless please order the Surface mount style
- Profile Dimensions: 2.95" wide x 4.6" high
- End Caps: Die cast aluminum with powder coat finish
- Housing: Extruded Aluminum with powder coat finish

- Direct Lens: Extruded Satin Acrylic
- Light Engine: Aluminum core LED board mounted to a white extruded chassis with integral driver and quick electrical disconnects for rapid tool-less servicing
- Weight: 30 pounds (8ft luminaire)



Ordering Information

A FIXTURE SERIES

V2R Vector 2 Recessed

B LENGTH

4	4'
8	8'

C OUTPUT

L	6W/ft
M	9W/ft
H	12W/ft
C	Custom-Specify watts per foot*

D CCT

30	3000K
35	3500K
40	4000K

E VOLTAGE

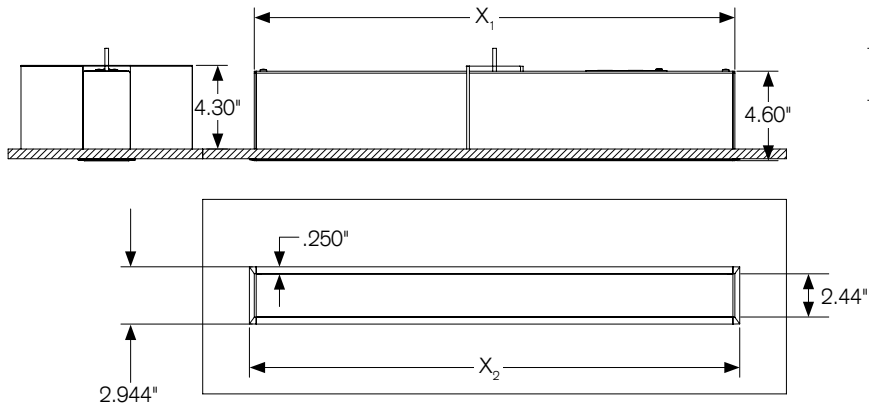
U 120-277V

F FINISH

W Textured White

*Maximum wattage is 15W/ft

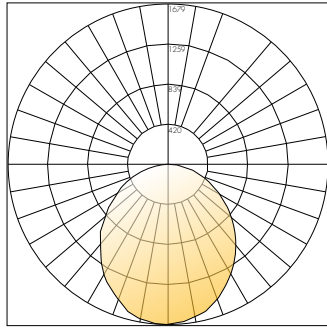
Dimensions



	4	8
X_1	48.2"	96.2"
X_2	48.7"	96.7"

Photometrics

Polar Graph - 4' High Output 4000K



Delivered Lumens: 4640
CRI: 97

Direct (Down) Lumen Chart:

OUTPUT SELECTION	LOW	MEDIUM	HIGH
NOMINAL WATTAGE	6W/ft	9W/ft	12W/ft
LUMENS PER FOOT	542	812	1102
4' LENGTH			
System Wattage	24.00	36.00	48.00
Lumen Output	2168	3248	4408
8' LENGTH			
System Wattage	48.00	72.00	96.00
Lumen Output	4336	6496	8816

Lumen values shown are for 3500K models. For other color temperatures, use the below multipliers:
3000K: 0.90, 4000K: 1.05

For total system wattage consumption and lumen output, add the direct and indirect lumen and wattage data based on output settings desired.

EX: V2R-4-H-40-U-W

	Direct	Total
Wattage	48.00	73.00
Lumen	4640	7520