

DECO[®] | LIGHTING



Low-Glare Micro-Prismatic Lens Technology



Welcome to **FLAT** OPTIX™

The Flat Optix™ micro-prismatic lens is designed to the European EN12464 glare standard for office and task lighting. Providing uniform, well-balanced illumination, Flat Optix™ also delivers unmatched energy savings by only illuminating key task areas. Promoting well-being and contributing to high-productivity, Flat Optix™ is at the forefront of practical and well-designed glare control solutions being introduced to the lighting industry.



Sam Sinai
CEO & Founder





Next-Generation Luminaires

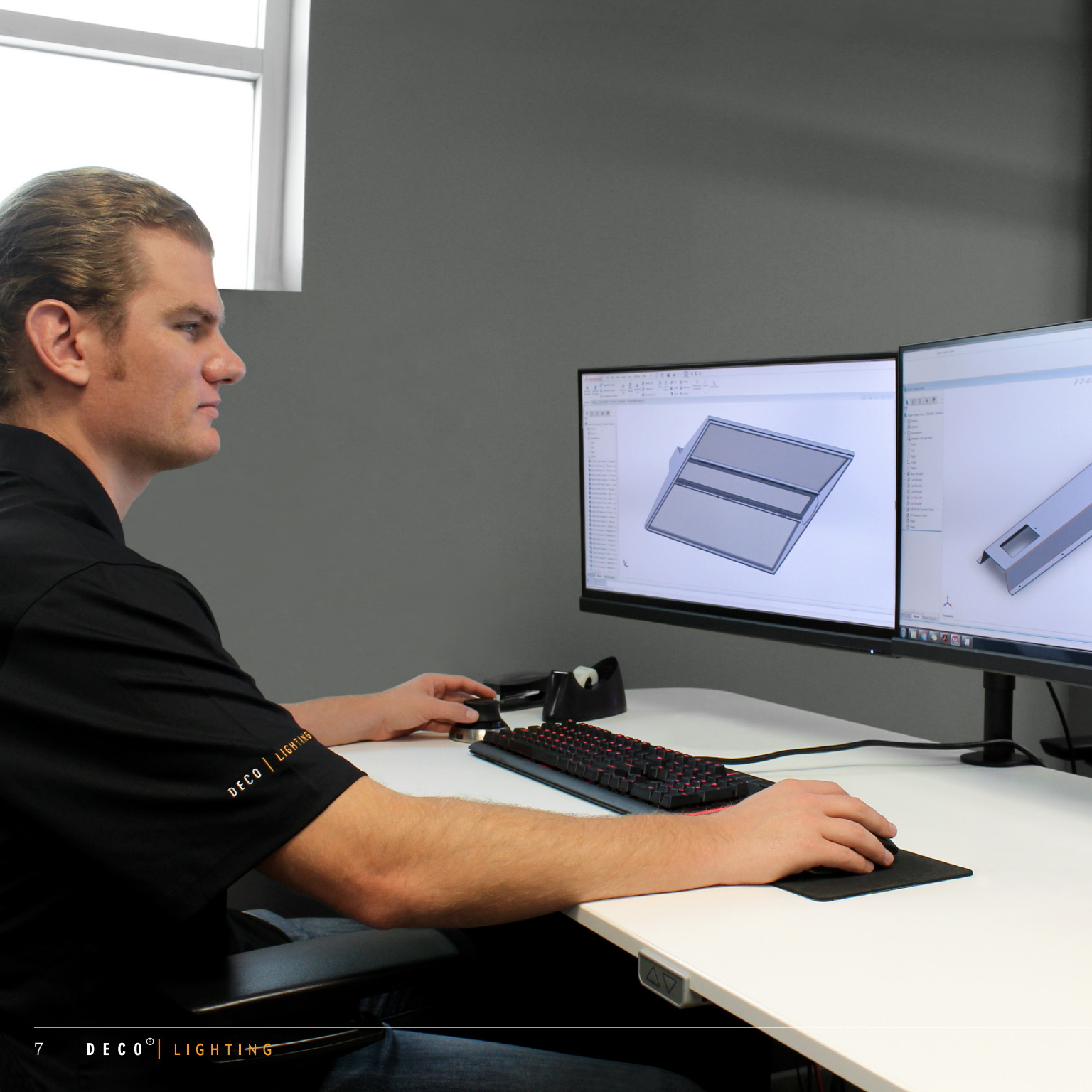
Designed to deliver an unprecedented blend of form and functionality, Flat Optix™ luminaires pair a sleek and modern aesthetic with thoughtfully-crafted features that provide comfortable illumination to interior spaces. The unique Flat Optix™ micro-prismatic lens illuminates key task areas while directing light away from occupants' eyes, enabling luminaires to provide high efficacy illumination without creating uncomfortable glare. Featured in this image is the Skyler™, the industry's first edge lit volumetric luminaire. Skyler™ provides glare free lighting without the caving effect of deep cell parabolic luminaires, and is ideal for tight plenum areas, such as beneath duct work or structural beams.

Table of Contents

Welcome to Flat Optics	01	10 Year Warranty	17
Next-Gen Luminaires	03	Skyler	19
Designed In California	07	Circa	27
Overview	09	Flat Zone	37
UGR Benefits	11	Ordering Information	47
Light Control	13	We Got You Covered	49
Smart Control	15		







DECO | LIGHTING



Designed in California

Designed from the ground up in Los Angeles, California, Flat Optix™ luminaires carry the meticulous processes of research, design, and engineering that is inherent to all specification-grade fixtures from Deco Lighting. Every FlatZone™, Circa™, and Skyler™ fixture has been envisioned and refined with true American grit and an unwavering attention to construction details. This domestic design process allows us to deliver top-quality fixtures, ensuring high-grade componentry and support from a team that truly cares about the product we build.



SKYLERTM

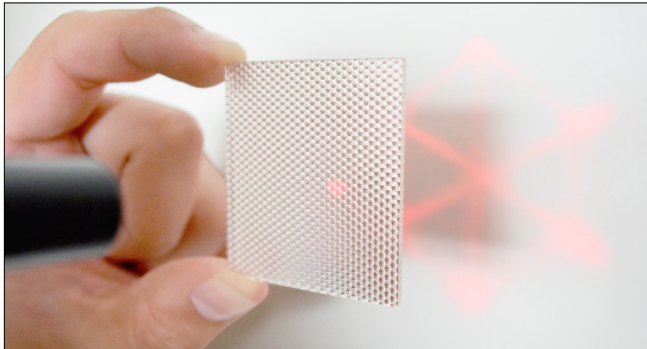


CIRCATM

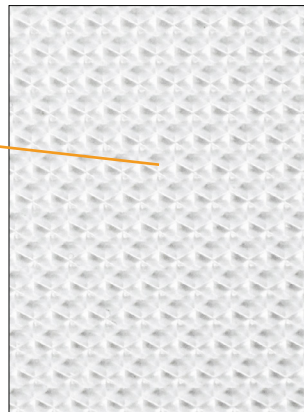
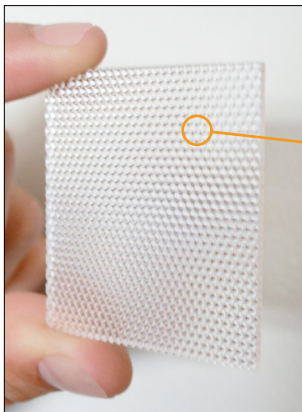


FLATZONETM

Overview



Designed specifically to refract light away from the 60 to 90-degree offending zone of a luminaire, the Flat Optix™ micro-prismatic lens delivers a Unified Glare Rating (UGR) of less than 19, indicating that most occupants of a space will not be disturbed by the uncomfortable glare that has become prevalent due to increases in product efficacy. Flat Optix™ is a revolutionary system that will enhance and redefine an occupant's experience within modern interior spaces. The ability to drastically diffuse and redirect light is a key attribute that allows for softer, well-balanced illumination for office spaces, educational facilities, themed areas, & healthcare applications.



Flat Optix™ Lens

Unified Glare Rating (UGR) is a dimensionless parameter, which provides information into the degree of psychological glare of a lighting installation in an indoor space. Deco's Flat Optix™ technology is the optimal solution for redirecting high-angle light, and reducing visual glare. The light above 60° is redirected downward to improve the Unified Glare Rating (UGR). This allows for the luminaire to be IESNA RP1-04 & EN12464 compliant, which are standards for office and indoor lighting. With Flat Optix™ providing the most optimal, glare-free illumination from any viewing angle, occupants of the interior space will not be affected by the harsh glare that is delivered by high efficacy, low quality luminaires.

Unified Glare Rating (UGR) Benefits

UGR Criteria

Designed specifically to redirect light away from the 60 to 90-degree offending zone of a luminaire, the Flat Optix™ micro-prismatic lens delivers a Unified Glare Rating (UGR) of less than 19, indicating that most occupants of a space will not be disturbed by the uncomfortable lighting glare that has become prevalent in recent years due to increases in product efficacy. Reducing glare has proven to increase student productivity in K-12 classroom environments as well as significantly reducing stress in hospital patient and waiting rooms.

UGR:	Hopkinson's Criterion:
<10	Imperceptible
<13	Just Perceptible
<16	Perceptible
<19	Acceptable

UGR:	Hopkinson's Criterion:
>22	Unacceptable
>25	Just Uncomfortable
>28	Uncomfortable

Deco LED Flat Panel with Flat Optix™ Lens:

- Light is redirected from 60° to 90° degrees of luminaire, UGR <19
- Conical structures built into the lens minimize high angle glare
- Allows for increased efficacy, rather than lumen output glaring at occupants
- High efficiency and energy saving
- Protection class: IP44 Damp Location Rated
- Increased productivity, decreased eye strain.



□ = Volumetric flat panel with micro-prismatic lens will reduce glare going into the occupant's eyes.
 — = 90° - - - = 60°

Standard LED Flat Panel:

- Harsh glare at viewing angles above 60°, UGR >24
- Wide beam angle at 180°
- Uncomfortable glare
- Reduction in visibility caused by intense light source in field of view
- Protection class: IP22 protects only from objects greater than 12 millimeters
- Loss of productivity, increased eye strain.

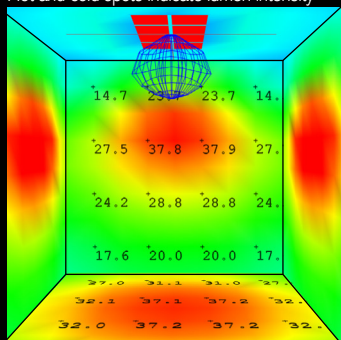


□ = High glare flat panel makes occupant's eyes feel uncomfortable.
 — = 90° - - - = 60°



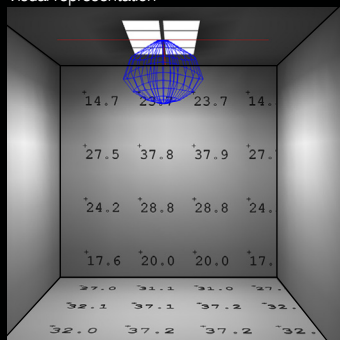
Parabolic Pseudo-Heat Map

Hot and cold spots indicate lumen intensity



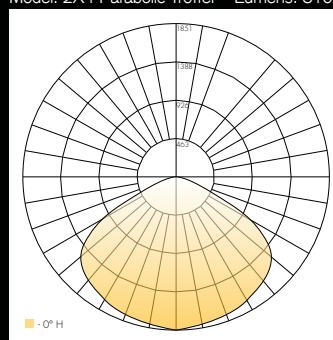
Parabolic Rendering

Visual representation



Polar Candela Distribution:

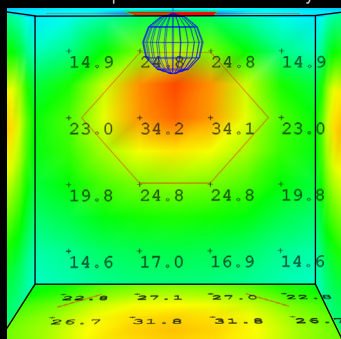
Model: 2X4 Parabolic Troffer • Lumens: 3100



Deep cell parabolic louvered troffers create scattered hot spots and lead to a “caving effect”, meaning ceilings and upper portions of the walls are dark.

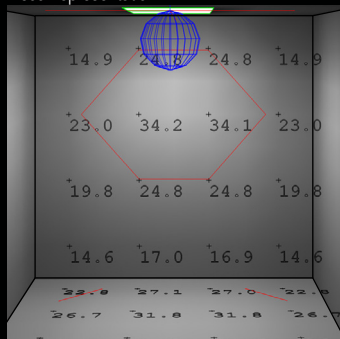
Flat Panel Pseudo-Heat Map

Hot and cold spots indicate lumen intensity



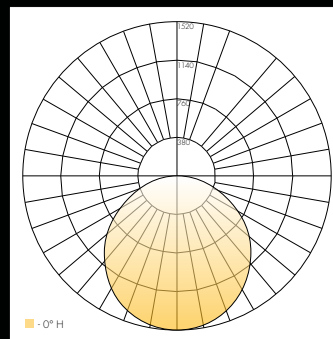
Flat Panel Rendering

Visual representation



Polar Candela Distribution:

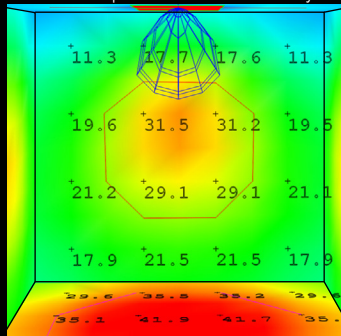
Model: SFP-LED-24-40-50-UNV • Lumens: 4371



While edge lit flat panels more effectively illuminate the walls and ceiling, the 20 percent glare negates any benefits.

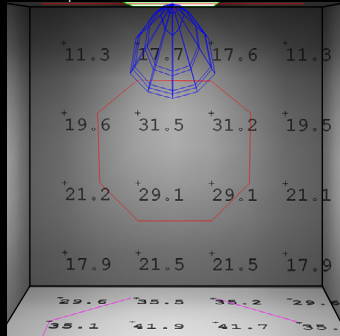
SKYLER Pseudo-Heat Map

Hot and cold spots indicate lumen intensity



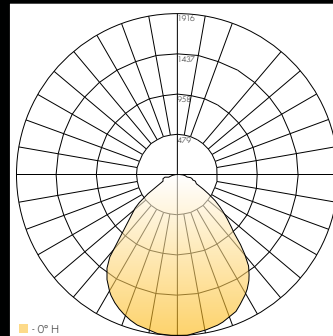
SKYLER Rendering

Visual representation



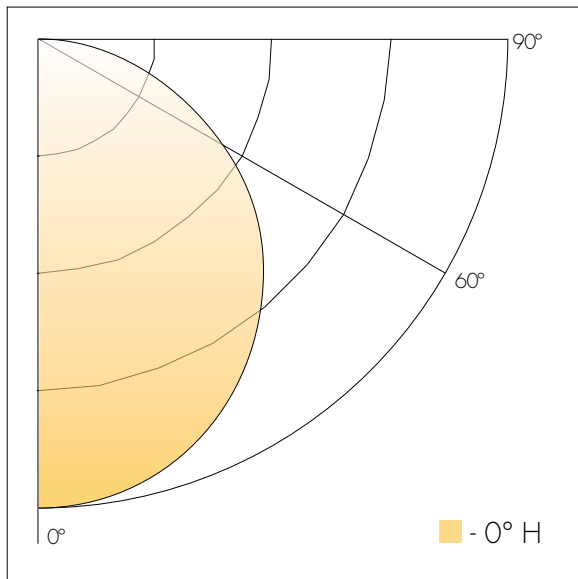
Polar Candela Distribution:

Model: SKYLER-LED-24-40-40-UNV.IES • Lumens: 4154

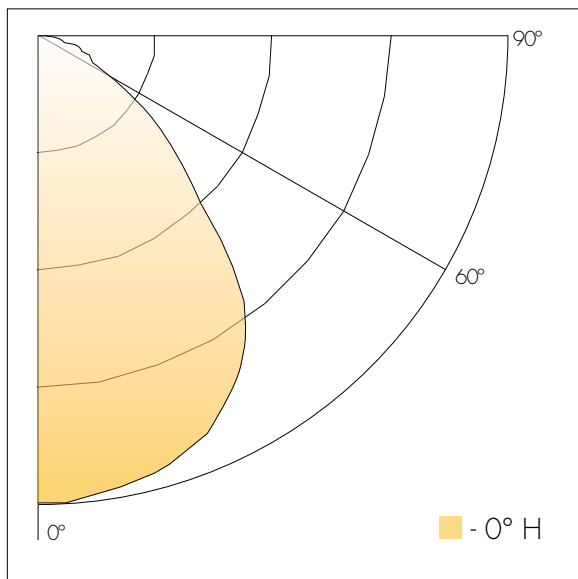


Skyler with Flat Optix™ focuses lumens on task lighting and has about 6 percent of the delivered light in the 60 to 90 degree zone, effectively illuminating the ceiling and walls, while maintaining a UGR<19.

Flat Panel Close Up of 60°-90°



SKYLER Close Up of 60°-90°



Light Control

Luminaires that integrate Flat Optix™ technology deliver glare free illumination for commercial and institutional spaces. Traditional deep cell parabolic louvered troffers eliminate glare, but provide no light to illuminate the ceiling plane or upper portions of the wall, resulting in what is known as the “cave effect”.

Edge lit flat panels and center lensed troffers provide illumination to these areas, but result in glare for the occupants. With edge lit panels, and center basket troffers, up to 24 percent of the lumen output is within the glare zone.

Luminaires with Flat Optix™ have only 6% of the lumens within the glare zone (60 to 90 degrees), resulting in a comfortable, glare free environment. This 6 percent effectively illuminates the ceiling plane and upper regions of the wall, eliminating the “cave effect” of parabolic troffers, while maintaining a Unified Glare Rating (UGR) of less than 19.



*Shown with Enlighted sensor.

Smart Control

Deco luminaires using Flat Optix™ allow a myriad of driver and control choices. Deco Lighting is in partnership with the companies below, and not only integrate their sensor and driver technologies into Deco Lighting luminaires, but also fully test the sensor/driver combinations before providing the systems to consumers. Deco Lighting works closely with the companies listed below to ensure that their drivers and sensors are being used effectively and to their full potential. When a consumer buys a car, they expect the manufacturer to fully understand and warrant the car's components. This should also be the case for lighting and lighting controls, where consumers can rely on Deco Lighting to be the go-to experts for the technologies embedded into Deco Lighting Luminaires. Below is an abbreviated list of Deco Lighting's driver and sensor technology partners. Please contact us if you have any specific questions about a technology, and we will be happy to provide answers quickly.

enlighted

Patented, software-defined smart sensor solution that tracks real-time occupancy, light levels, ambient temperature and energy usage, along with other data points. Enlighted sensors can distinguish between people and objects, customize controls for specific tasks, leverage ambient light, and provide unmatched coverage for data collection.

PHILIPS

Phillips sensor solutions are designed for applications that include retail, hospitality, office spaces, public areas, and education. Offering devices that combine motion detection, light level assessment, and dimming into single units, Phillips delivers a system for sophisticated yet simple lighting control.

LUTRON®

Utilizing the proprietary EcoSystem® communications protocol, Lutron provides a two-way digital network that incorporates motion sensing, daylight harvesting, occupancy/vacancy sensing, and high performance dimming functionality.

nLIGHT

nLight® is a networked digital lighting control solution that delivers energy savings and increased user configurability by combining time-based, daylight-based, sensor-based and manual lighting control schemes.

Smart Sensors	Protocol	Compatible Networks*	Occupancy	Daylight	Temperature Reporting	Communication to Luminaire
enlighted	Enlighted RF	Enlighted RF	Integrated	Integrated	Yes	Wireless
nLIGHT	nLight	nLight	Enabled	Enabled	No	Wired
LUTRON®	EcoSystem	Quantum, Energi Savr Node, Energi TriPak	Enabled	Enabled	No	Wired
PHILIPS	ZigBee HA	Philips	Enabled	Enabled	No	Wired

10 YEAR WARRANTY

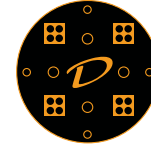
INCLUDES
LABOR
ALLOWANCE

Deco Lighting's industry-leading 10-Year, 100,000-hour warranty evolved from our team's drive to design, engineer, and manufacture top-quality LED lighting systems in the United States. From the initial sourcing of resilient fixture materials and high-performance LED chipsets to the attention to detail we provide during assembly and packaging, this complete start-to-finish assurance process is what gives us the confidence to back all of our LED luminaires with this unbeatable warranty.



Durable Fixtures

Deco luminaires are constructed with sturdy housings built using extruded and precision-formed acrylic diffuser lenses. An efficient and functional design within the housing creates a massive surface area for efficient thermal dissipation to reduce operating temperature and further extend fixture life.



LED

State-of-the-art LED chipsets deliver unparalleled lighting performance and give Deco Lighting fixtures an L70 rating of 100,000+ hours. This translates to an operational lifetime of over 15 years if operated at a full 24 hours per day!



Labor Included

In addition to covering the entire fixture, including the LED driver, our warranty includes a labor allowance should any issue arise within the warranty period that requires labor to be performed during the correction or replacement process.



Cooltech

By under-driving our LEDs we reduce fixture temperature and extend LED life considerably. In fact, our patented Cooltech boards lead to a faster heat transfer rate and lowers heat buildup (up to a 20° C reduction) compared to the traditional LED board systems used by our competitors.



Lumen Maintenance

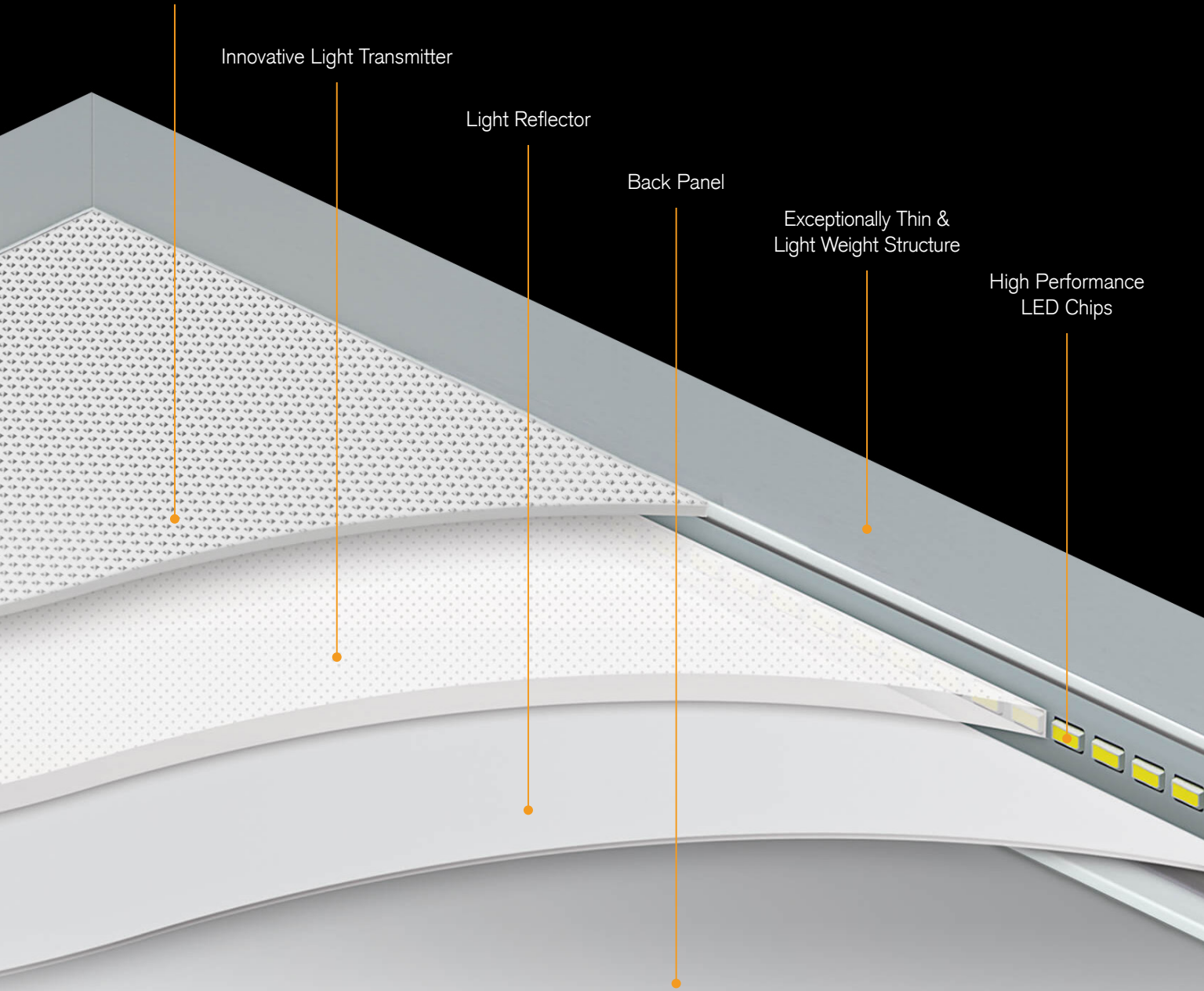
The extended lifetime delivered by under-driving the industry's finest LEDs offers several benefits over the traditional fluorescent systems, from eliminating the cost of bulb replacement to the advantage of using a product that depreciates less than 7% over the course of 10 years.



Driver

The LED driver system yields superior performance compared to other third-party driver systems, rated to operate in a temperature range of -40°C to +95°C & delivering a power factor of 0.95 or greater along with low harmonic distortion.

These six key elements, combined with our dedication to constantly innovate and develop next-generation lighting solutions, come together to deliver a winning formula when selecting Deco products. In essence, we put our money where our mouth is and provide our clients the confidence to specify our innovative lighting systems across a variety of applications.



Innovative Light Transmitter

Light Reflector

Back Panel

Exceptionally Thin &
Light Weight Structure

High Performance
LED Chips

SKYLER™





Low-Profile Design

Utilizing innovative edge-lit LED technology to reduce housing depth, the Skyler™ Volumetric Flat Panel features a compact yet sturdy aluminum construction designed to blend into modern architectural spaces. The bold, striking design of the Skyler™ goes beyond what was previously possible with fluorescent technology or even traditional LED troffer luminaires.

SKYLER™



Sleek profile

Skyler™ 2x4: 2.615" (66.421mm) deep





SKYLER™

Volumetric Flat Panel Luminaire

The Skyler™ recessed volumetric flat panel luminaire is an innovative LED fixture designed to deliver a modern aesthetic and complement today's interior spaces. Featuring a low-profile form factor, the Skyler™ is ideal for buildings with a low plenum space and is suitable for all standard 2x2 or 2x4 grid ceilings. Incorporating edge-lit LED technology and micro-prismatic conical structures in the diffuser lens, the Skyler™ features a Unified Glare Rating (UGR) of less than 19, delivering light where it is needed and reducing direct glare to occupants. This creates a soft and comfortable lighting experience for commercial and institutional spaces including open offices, classrooms, retail and healthcare facilities.

Features:

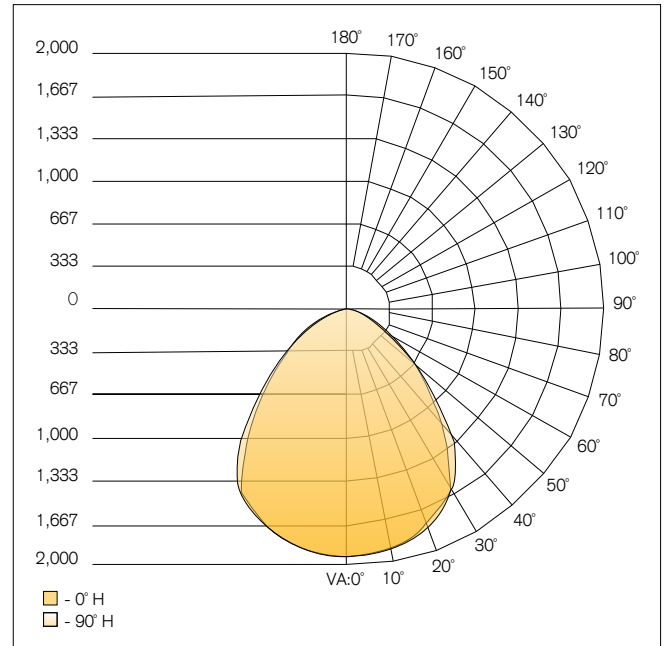
- Die-cast aluminum frame powder coated white
- Light emitting surfaces are edge-lit acrylic for uniform illumination
- Micro-prismatic lens delivers a Unified Glare Rating (UGR) of less than 19
- Power Factor > 0.95, Total Harmonic Distortion (THD) < 10%
- Dimensions (in): 23.75 (W) x 2.34 (H) x 23.75/47.75 (L)

Performance Data Table Chart:

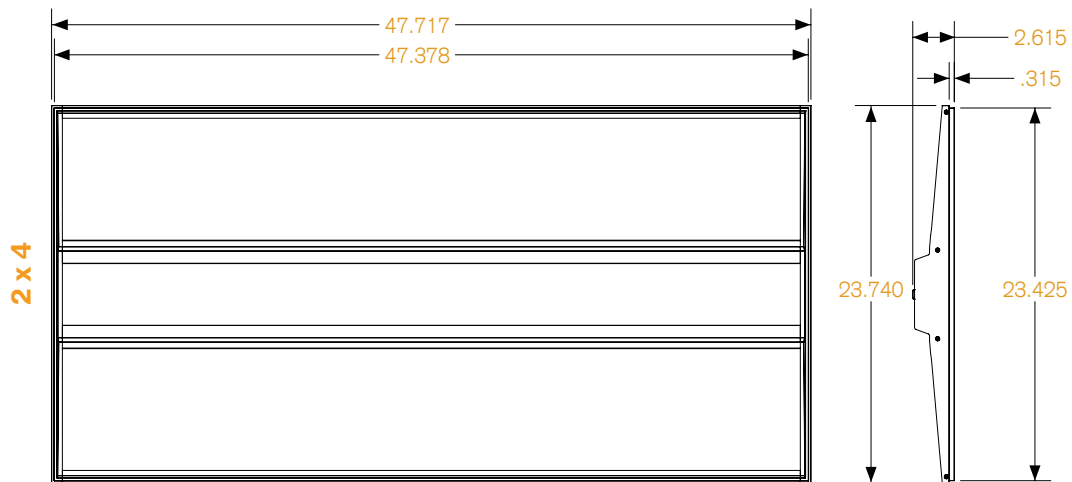
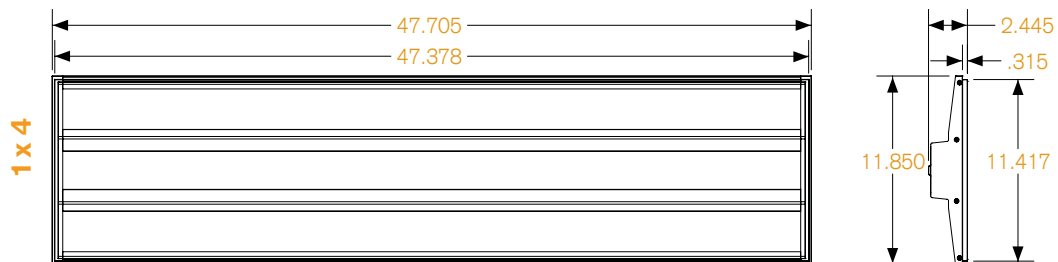
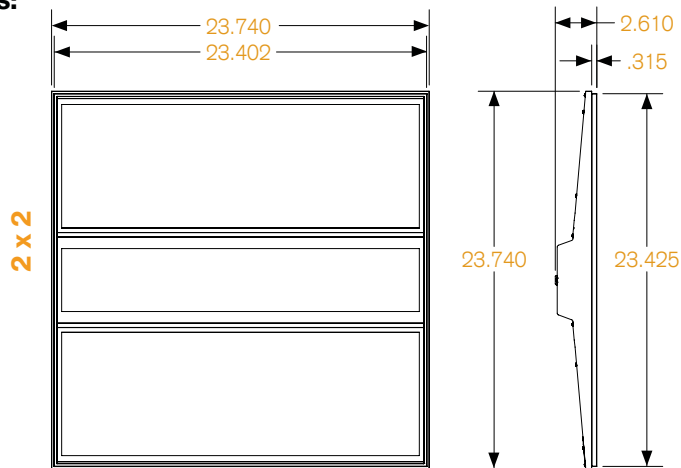
CRI:	90+
CCT:	2700K, 3000K, 3500K, 4000K
Projected Lifetime:	104,000 Hours (L70)
Dimming:	0-10V Dimming Standard, 100% Down to 10%
Operating Temperature:	-40°C to +50°C
Certifications:	ETL Certified to UL 1598 for Dry and Damp Locations

Polar Candela Distribution:

Model: 2X2 40W 3500K • Delivered Lumens: 4,125.90 • CRI: 90



Dimensions:



Photometrics: Model 2 x 2 40W 3500K

Coefficients of Utilization • Effective Floor Cavity Reflectance: 20%

RCC%	80				70				50			30			10			0
RW%	70	50	30	0	70	50	30	0	50	30	20	50	30	20	50	30	20	0
RCR:0	1.19	1.19	1.19	1.19	1.16	1.16	1.16	1.00	1.11	1.11	1.11	1.06	1.06	1.06	1.02	1.02	1.02	1.00
1	1.10	1.06	1.03	.99	1.08	1.04	1.01	.88	1.00	.97	.95	.96	.94	.92	.93	.91	.89	.87
2	1.02	.95	.89	.84	.99	.93	.87	.76	.89	.85	.81	.86	.82	.79	.83	.80	.77	.75
3	.94	.84	.77	.71	.91	.83	.76	.67	.80	.74	.70	.77	.73	.68	.75	.71	.67	.65
4	.87	.76	.68	.62	.84	.75	.67	.59	.72	.66	.61	.70	.64	.60	.68	.63	.59	.57
5	.80	.69	.60	.54	.78	.68	.60	.52	.65	.59	.54	.64	.58	.53	.62	.57	.52	.51
6	.75	.62	.54	.48	.73	.61	.54	.47	.60	.53	.48	.58	.52	.47	.57	.51	.47	.45
7	.69	.57	.49	.43	.68	.56	.49	.42	.55	.48	.43	.53	.47	.42	.52	.46	.42	.40
8	.65	.52	.44	.39	.63	.52	.44	.38	.50	.44	.39	.49	.43	.38	.48	.42	.38	.36
9	.61	.48	.41	.35	.60	.48	.40	.35	.47	.40	.35	.46	.39	.35	.45	.39	.35	.33
10	.57	.45	.37	.32	.56	.44	.37	.32	.43	.37	.32	.42	.36	.32	.42	.36	.32	.30

Zonal Lumen Summary

Zone	Lumens	%Lamp	%Luminaire
0-30	1,483.8	36%	36%
0-40	2,375.4	57.6%	57.6%
0-60	3,601.6	87.3%	87.3%
60-90	524.3	12.7%	12.7%
0-90	4,125.9	100%	100%

Lumen Output: Lumen Chart

Size	System Wattage	4000K	LPW	3500K	LPW	3000K	LPW	2700K	LPW
2 x 2	19.14	1991	104	1876	98	1851	97	1831	96
	26.6	2766	104	2607	98	2573	97	2545	96
	40.51	4213	104	3970	98	3918	97	3876	96
2 x 4	34	3400	100	3332	98	3162	93	3128	92
	42	4200	100	4116	98	3906	93	3864	92
	49.85	4985	100	4885	98	4636	93	4586	92

IRCATM



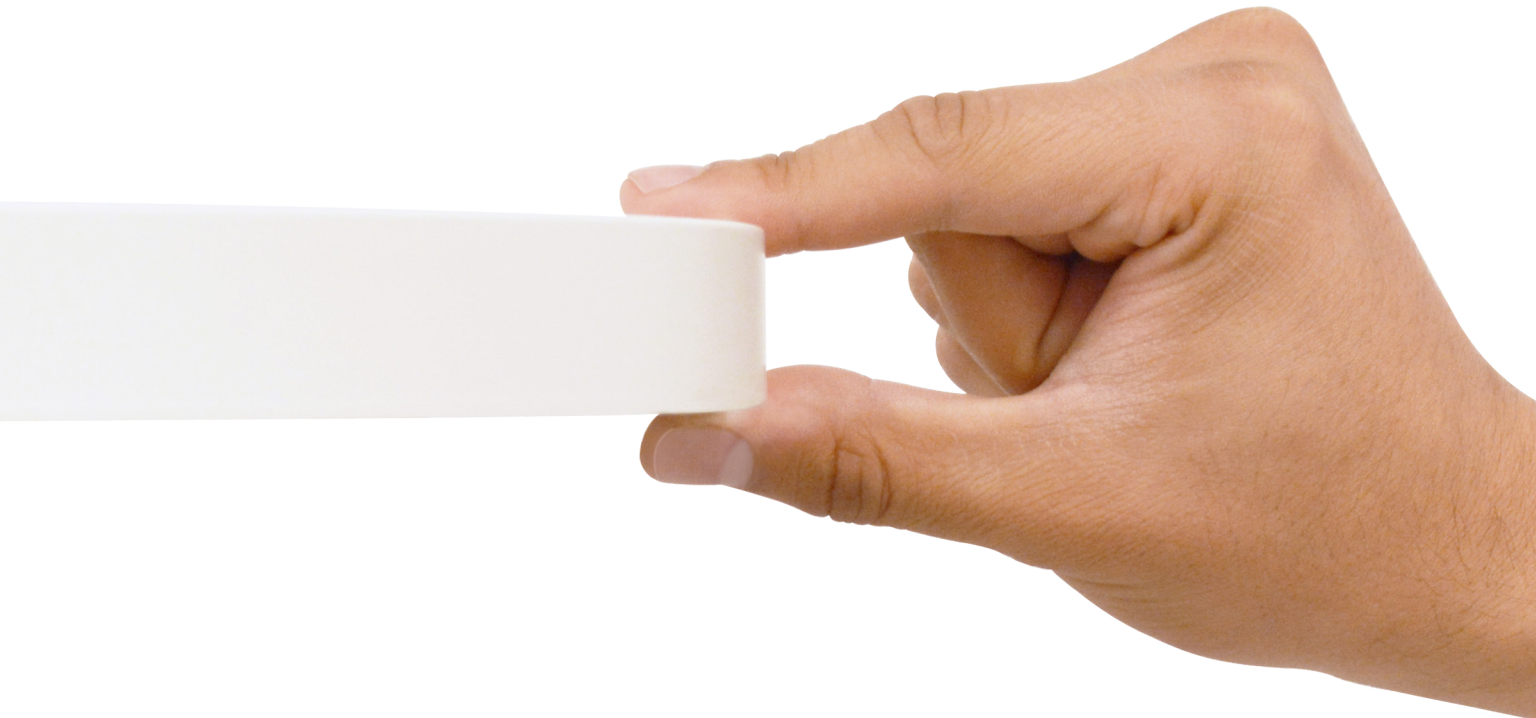


Low-Profile Design

The Circa™ Round Flat Panel features an incredibly slim housing depth of only 1 inch and incorporates the next-generation Flat Optix™ lens to eliminate glare commonly associated with high efficacy, edge-lit technology. The slim profile of the Circa™, along with a diameter of up to 36 inches, delivers a unique and minimalist aesthetic to interior spaces.



Sleek profile
Circa™: 1.00" (25.40mm) deep





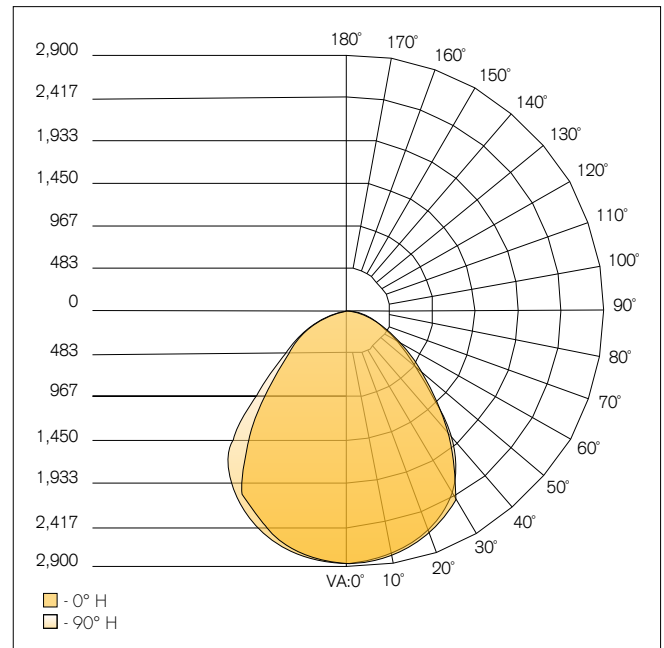


Round Flat Panel

The Circa™ is a unique round flat panel luminaire designed to provide smooth, dispersed illumination for modern interior spaces. Featuring a low-profile aluminum construction, the Circa™ can be hung from ceilings of any height. The Circa™ incorporates innovative Flat Optix™ that are engineered to eliminate glare issues that have become increasingly prevalent among LED luminaires as efficacy has increased over time. Constructed with high efficacy LED chipsets and an edge-lit design, the Circa™ delivers well-balanced light output with a Flat Optix™ lens and is ideal for specifications across a variety of commercial and institutional spaces including open offices, classrooms, themed areas, retail spaces and healthcare facilities.

Polar Candela Distribution:

Model: 36" 60W 3500K • Delivered Lumens: 6,116 • CRI: 85



Features:

Performance

- Delivers up to 6500 lumens
- 109 lumens per watt at 4000K

Physical

- Sizes: 18", 24", and 36" diameters
- Driver box: White, CRS cylinder that mounts directly to a 4" Octagonal and 3" Octagonal junction box. Dimensions: 8" Dia. x 1.5" high
- Luminaire: Die cast aluminum body with powder coat finish. Powder Coated CRS top plate. Flat Optix™ lens with micro prismatic conical structure. UGR<19
- Suspension: 1/16" Aircraft cable, 3 mounting points attach to luminaire and driver box.
- Electrical: 120V-277V AC
- Weight: 11lbs (18"), 13lbs (24"), and 20lbs (36")
- Optional cable management ring included.

Performance Data Table Chart:

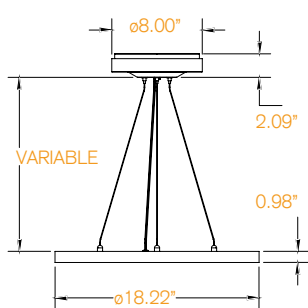
CRI:	80+
CCT:	2700K, 3000K, 3500K, 4000K
Projected Lifetime:	155,000 Hours (L70) 97,000 Hours (L80)
Dimming:	0-10V Dimming Standard, 100% Down to 10%
Operating Temperature:	-40°C to +50°C
Certifications:	ETL Certified to UL 1598 for Dry and Damp Locations



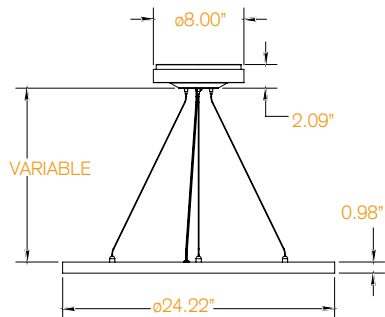
Dimensions:

Pendant

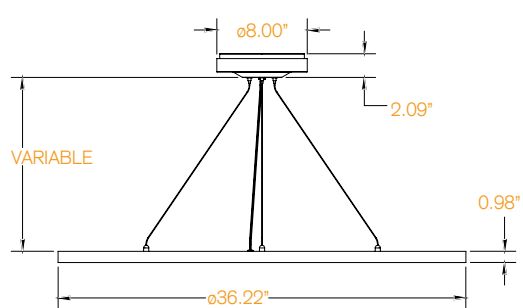
Size 18"



Size 24"

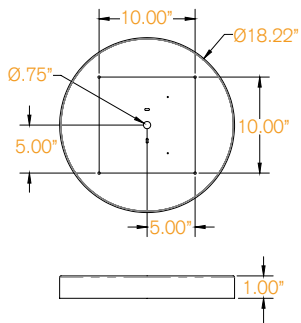


Size 36"

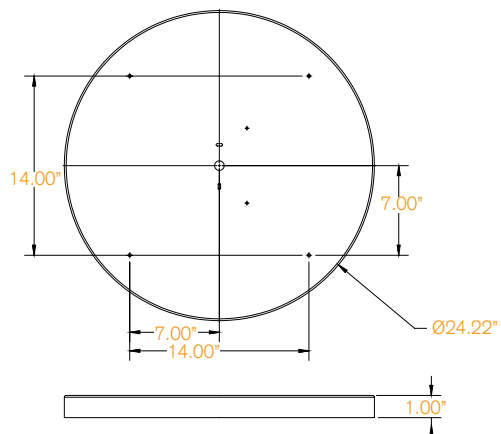


Surface

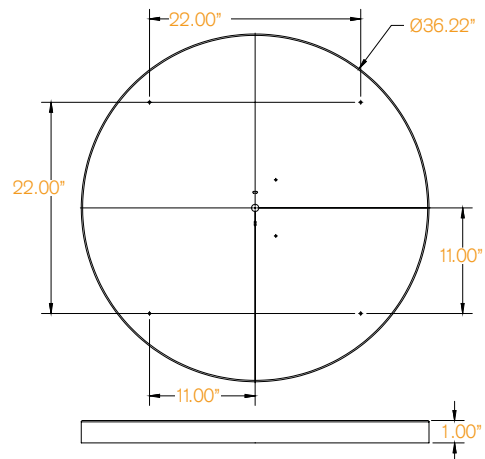
Size 18"



Size 24"



Size 36"



Photometrics: Model 36" 60W 3500K

Coefficients of Utilization • Effective Floor Cavity Reflectance: 20%

RCC%	80				70				50			30			10			0
RW%	70	50	30	0	70	50	30	0	50	30	20	50	30	20	50	30	20	0
RCR:0	1.19	1.19	1.19	1.19	1.16	1.16	1.16	1.00	1.11	1.11	1.11	1.06	1.06	1.06	1.02	1.02	1.02	1.00
1	1.10	1.06	1.03	1.00	1.08	1.04	1.01	.88	1.00	.97	.95	.96	.94	.92	.93	.91	.89	.87
2	1.02	.95	.89	.84	.99	.93	.87	.77	.89	.85	.81	.86	.82	.79	.83	.80	.77	.75
3	.94	.85	.77	.72	.92	.83	.76	.67	.80	.75	.70	.78	.73	.69	.75	.71	.68	.66
4	.87	.76	.68	.62	.85	.75	.67	.59	.72	.66	.61	.70	.65	.60	.68	.63	.59	.57
5	.80	.69	.61	.55	.78	.68	.60	.52	.66	.59	.54	.64	.58	.53	.64	.58	.53	.51
6	.75	.63	.54	.48	.73	.62	.54	.47	.60	.53	.48	.58	.52	.47	.57	.51	.47	.45
7	.70	.57	.49	.43	.68	.56	.49	.42	.55	.48	.43	.53	.47	.43	.52	.47	.42	.41
8	.65	.52	.45	.39	.64	.52	.44	.38	.51	.44	.39	.49	.43	.39	.48	.43	.38	.37
9	.61	.49	.41	.36	.60	.48	.40	.35	.47	.40	.35	.46	.40	.35	.45	.39	.35	.33
10	.57	.45	.37	.32	.56	.44	.37	.32	.43	.37	.32	.43	.36	.32	.43	.36	.32	.30

Zonal Lumen Summary

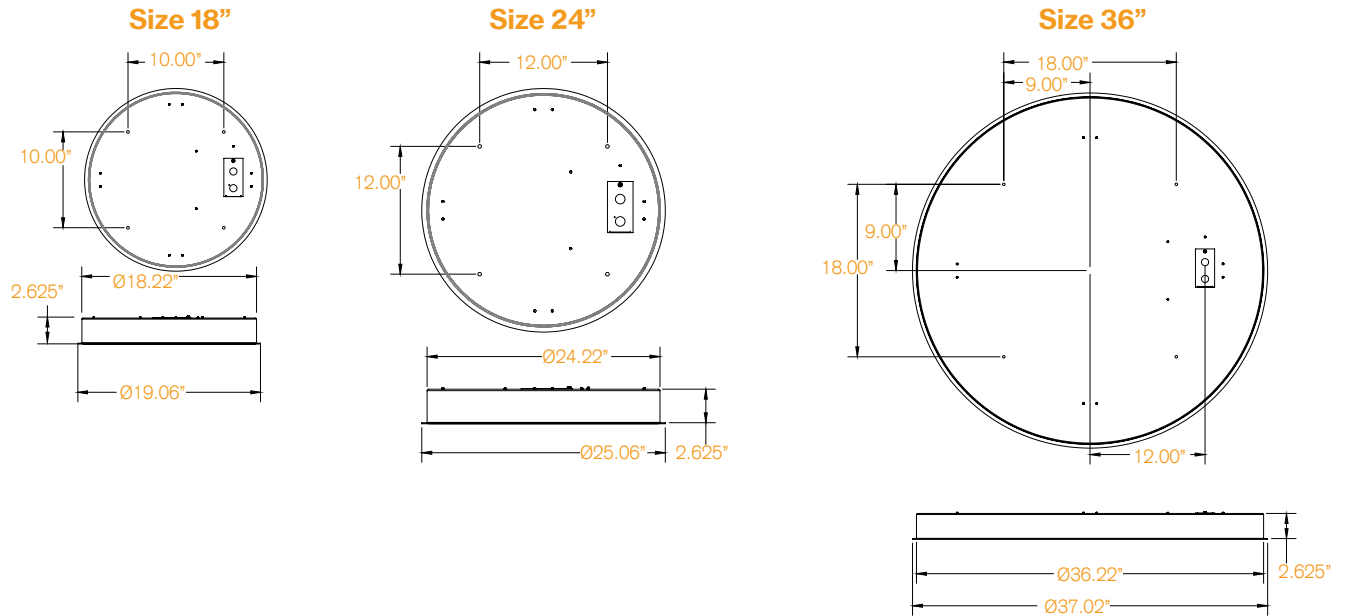
Zone	Lumens	%Lamp	%Luminaire
0-30	2,205.9	36.1%	36.1%
0-40	3,544.4	57.9%	57.9%
0-60	5,365.6	87.7%	87.7%
60-90	750.8	12.3%	12.3%
0-90	6,116.4	100%	100%

Lumen Output: Lumen Chart

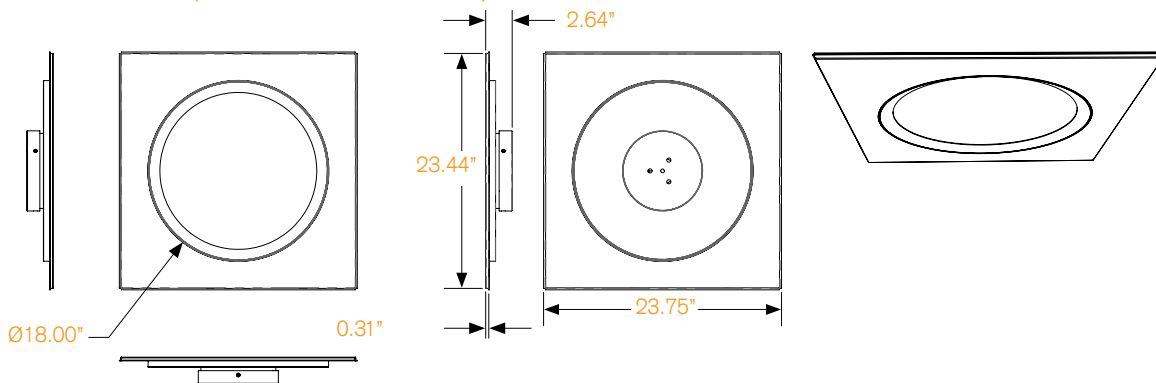
Size	2700K	3000K	3500K	4000K
18" Diameter (30W) Pendant and Surface	2880	2950	3000	3250
24" Diameter (40W) Pendant and Surface	3840	3920	4000	4360
36" Diameter (60W) Pendant and Surface	5760	5880	6000	6540

Dimensions:

Recessed



Recessed T-Bar (for 18" Circa fixture ONLY)



Photometrics: Model 18" 30W 2700K

Coefficients of Utilization • Effective Floor Cavity Reflectance: 20%

RCC%	80				70				50			30			10			0
RW%	70	50	30	0	70	50	30	0	50	30	20	50	30	20	50	30	20	0
RCR:0	1.19	1.19	1.19	1.19	1.16	1.16	1.16	1.00	1.11	1.11	1.11	1.06	1.06	1.06	1.02	1.02	1.02	1.00
1	1.11	1.07	1.03	1.00	1.08	1.04	1.01	.88	1.00	.97	.95	.96	.94	.92	.93	.91	.89	.87
2	1.02	.95	.89	.84	.99	.93	.88	.77	.90	.85	.81	.86	.83	.79	.83	.80	.78	.76
3	.94	.85	.78	.72	.92	.83	.77	.67	.80	.75	.70	.78	.73	.69	.75	.71	.68	.66
4	.87	.76	.68	.63	.85	.75	.68	.59	.73	.66	.61	.70	.65	.60	.68	.64	.60	.58
5	.81	.69	.61	.55	.79	.68	.60	.53	.66	.59	.54	.64	.58	.54	.62	.57	.53	.51
6	.75	.63	.54	.49	.73	.62	.54	.47	.60	.53	.48	.59	.52	.48	.57	.52	.47	.46
7	.70	.57	.49	.44	.68	.57	.49	.43	.55	.48	.43	.54	.48	.43	.52	.47	.43	.41
8	.65	.53	.45	.39	.64	.52	.44	.39	.51	.44	.39	.50	.43	.39	.48	.43	.39	.37
9	.61	.49	.41	.36	.60	.48	.40	.35	.47	.40	.36	.46	.40	.35	.45	.39	.35	.34
10	.57	.45	.38	.33	.56	.45	.37	.32	.43	.37	.33	.43	.37	.32	.42	.36	.32	.31

Zonal Lumen Summary

Zone	Lumens	%Lamp	%Luminaire
0-30	983.9	36.4%	36.4%
0-40	1,577.8	58.4%	58.4%
0-60	2,384.8	88.3%	88.3%
60-90	316.0	11.7%	11.7%
0-90	2,700.8	100%	100%

Lumen Output: Lumen Chart

Size	2700K	3000K	3500K	4000K
18" Diameter (30W) Recessed and Recessed T-Bar	2880	2950	3000	3250
24" Diameter (40W) Recessed	3840	3920	4000	4360
36" Diameter (60W) Recessed	5760	5880	6000	6540

FLATZONE™





PERFORMANCE
Dier Juc
CIO
April 10, 2010
CIO

Low-Profile Design

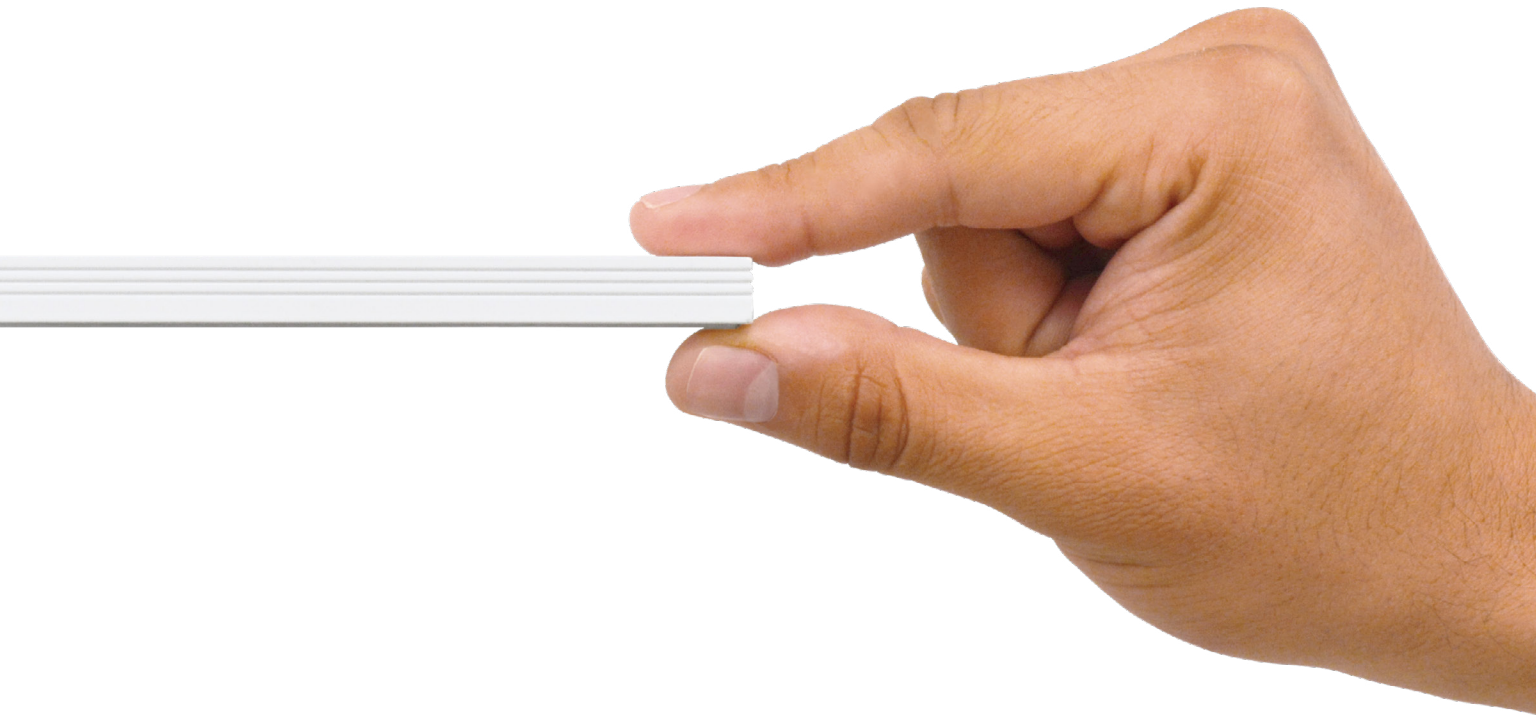
The FlatZone™ series features a sleek and sturdy die-cast construction with an incredibly low-profile housing that fits into any low-plenum condition. This combines a contemporary look with next-generation LED performance all packaged into a slim fixture that's less than a half-inch deep.

FLATZONE™



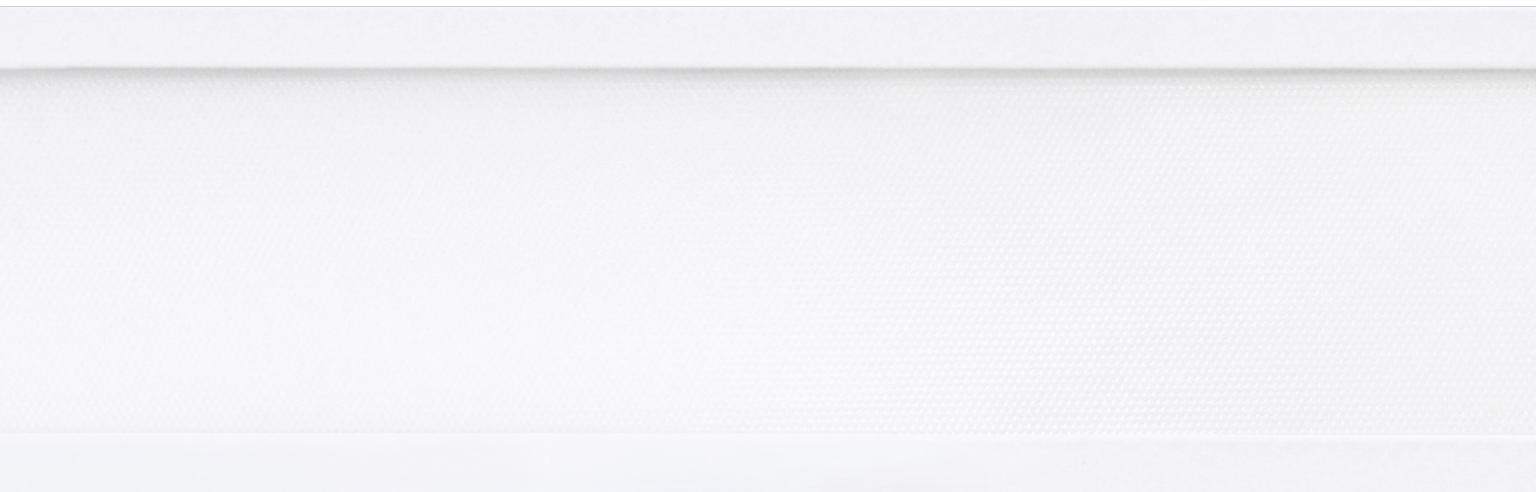
Sleek profile

Flat Zone (4 and 6): 7/16" (11mm) deep



Seamless Presentation

The FlatZone™ luminaire is available in 4" and 6" widths, delivering modern lighting performance while matching the desired aesthetic of any interior space. The edge-lit LED technology provides smooth, well-dispersed illumination that provides the luminaire with a minimalist presence that meshes discreetly into a space.



Sleek profile

Flat Zone 4: 3.75" (95.25mm) wide • Flat Zone 6: 5.75" (146mm) wide



FLATZONE6



FLATZONE4



FLATZONE™

4" and 6" Technical Channel Luminaires for T-bar ceilings.

Features:

Compatible With



Performance

- Extruded and mitered aluminum frame
- Acrylic light guide and micro-prismatic lens
- Galvanized steel driver compartment with 4 industry standard knockouts
- Very light weight luminaire minimizes overall ceiling load
- Lay in design for easy, hassle proof installation
- Seismic clips included
- Low height (7/16") is ideal for shallow plenum installations

Physical

- Wattage/Lumens: 40W/4210
- 1% Dimming Standard

Performance Data Table Chart:

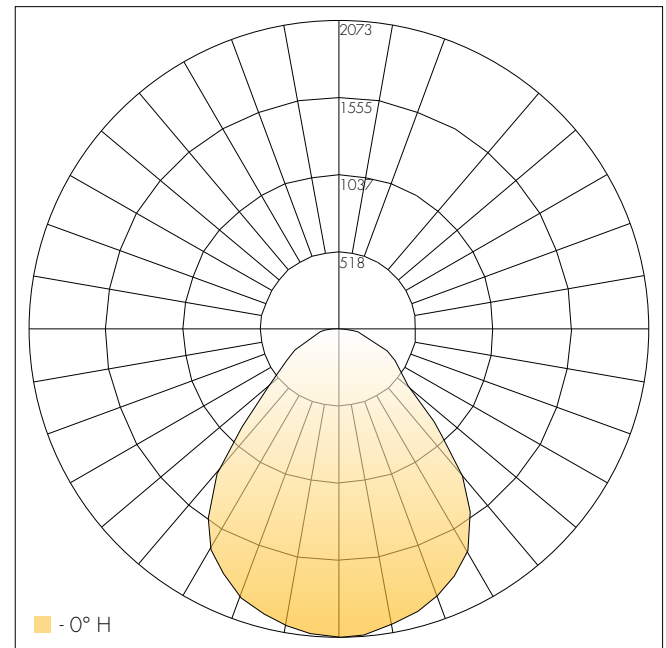
CRI:	90+
CCT:	2700K, 3000K, 3500K, 4000K
Projected Lifetime:	165,000 Hours (L70); 105,000 Hours (L80)
Dimming:	0-10V Dimming to 1 percent
Operating Temperature:	-40° C to +50° C
Certifications:	ETL listed to UL1598 dry and damp locations CCEA

The Flat Zone™ Series from Deco Lighting is a family of low-profile, edge-lit flat panel LED luminaires compatible with a variety of integrated ceiling systems, such as TechZone from Armstrong® Ceiling Solutions and Logix™ by USG. The FlatZone™ is offered in 4" and 6" luminaire widths, providing a choice of aesthetic without sacrificing performance or lumen package options.

Featuring FlatOptix™ lens technology from Deco Lighting, the FlatZone™ delivers glare-free, comfortable illumination to interior spaces with a Unified Glare Rating less than 19 while still delivering high efficacy, energy-saving performance. This low-profile luminaire fits into any low-plenum condition, providing a contemporary look supported by a sturdy die-cast luminaire construction.

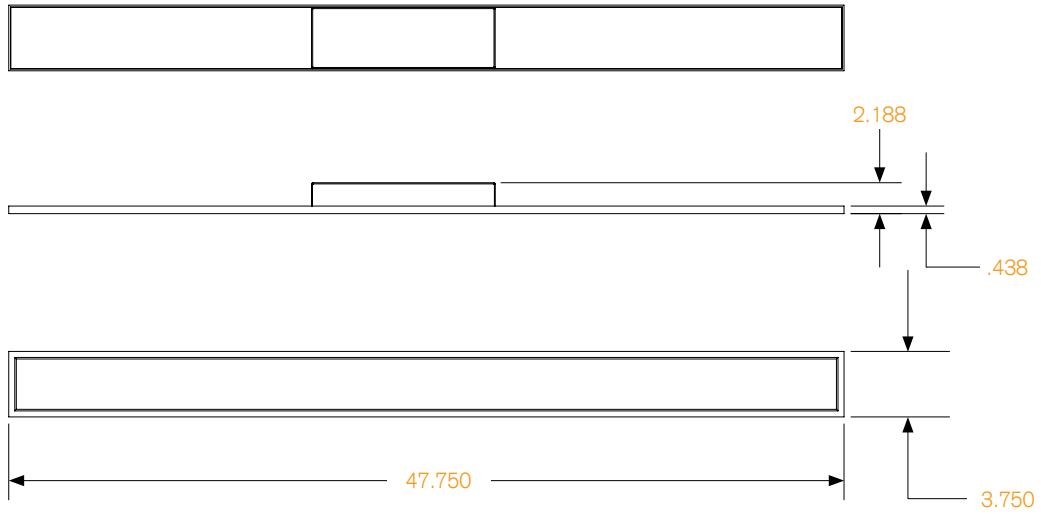
Polar Candela Distribution:

Model FLATZONE6-LED-40-40-UNV.IES • Delivered Lumens: 4253

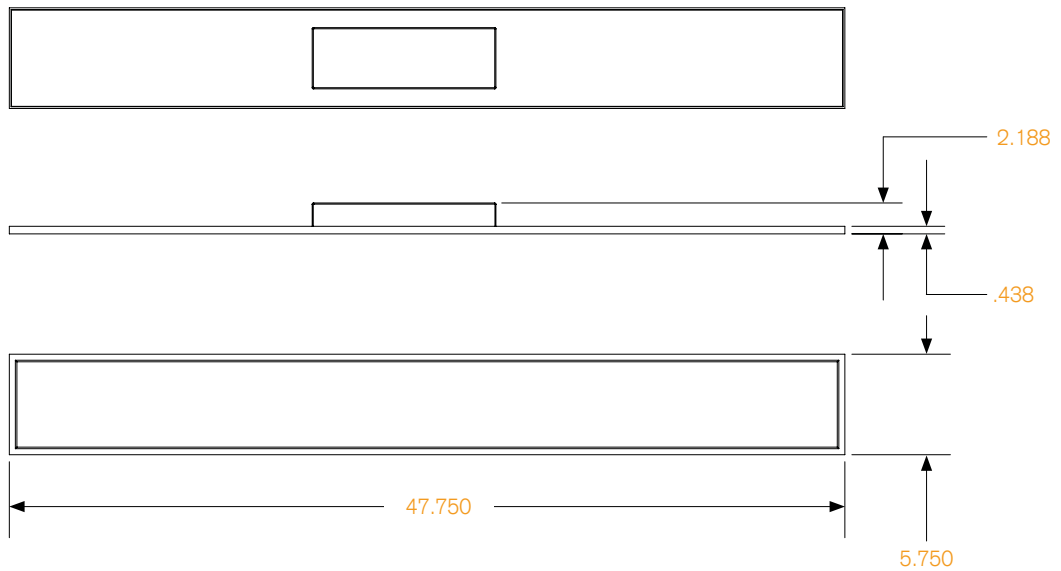


Dimensions:

FlatZone™ Panel 4"



FlatZone™ Panel 6"



Photometrics:

Coefficients of Utilization • Effective Floor Cavity Reflectance: 20%

RCC%	80				70				50			30			10			0
RW%	70	50	30	10	70	50	30	10	50	30	10	50	30	10	50	30	10	0
RCR:0	1.19	1.19	1.19	1.19	1.16	1.16	1.16	1.16	1.11	1.11	1.11	1.06	1.06	1.06	1.02	1.02	1.02	1.00
1	1.10	1.06	1.02	.99	1.08	1.04	1.00	.97	1.00	.97	.94	.96	.93	.91	.92	.90	.89	.87
2	1.02	.94	.88	.83	.99	.93	.87	.82	.89	.85	.81	.86	.82	.79	.83	.80	.77	.75
3	.94	.85	.77	.72	.92	.83	.76	.71	.80	.74	.70	.77	.73	.69	.75	.71	.67	.65
4	.87	.76	.68	.62	.85	.75	.68	.62	.72	.66	.61	.70	.65	.60	.68	.63	.60	.58
5	.81	.69	.61	.55	.79	.68	.60	.55	.66	.59	.54	.64	.58	.54	.62	.57	.53	.51
6	.75	.63	.55	.49	.73	.62	.54	.49	.60	.53	.48	.59	.53	.48	.57	.52	.48	.46
7	.70	.58	.50	.44	.68	.57	.49	.44	.55	.48	.43	.54	.48	.43	.53	.47	.43	.41
8	.65	.53	.45	.40	.64	.52	.45	.40	.51	.44	.39	.50	.44	.39	.49	.43	.39	.37
9	.61	.49	.41	.36	.60	.48	.41	.36	.47	.41	.36	.46	.40	.36	.45	.40	.36	.33
10	.58	.45	.38	.33	.57	.45	.38	.33	.44	.37	.33	.43	.37	.33	.42	.37	.33	.31

Zonal Lumen Summary

Zone	Lumens	%Fixt
0-30	1590.48	37.40%
0-40	2522.51	59.30%
0-60	3696.98	87.00%
0-90	4252.62	100.00%

Lumen Output: Lumen Chart

Size	Watts	2700K	LPW	3000K	LPW	3500K	LPW	4000K	LPW
4"	19.1	1413	74	1444	76	1474	77	1520	80
	26.6	1988	75	2031	76	2073	78	2138	80
	41.2	3127	76	3194	78	3261	79	3362	82
6"	19	1783	94	1821	96	1860	98	1917	101
	26.6	2521	95	2576	97	2630	99	2711	102
	40.89	3955	97	4040	99	4125	101	4253	104

Ordering Information

A Fixture Series

SKYLER Volumetric Flat Panel
LED Luminaire

SKYLER **14** **20** **27** **U** **E** **LV**
A B C D E F H
example

A Fixture Series

CIRCA Circa Luminaire

CIRCA **24** **R** **40** **30** **U** **W** **E** **NL**
A B C D E F G H I
example

A Fixture Series

FZ Flat Zone

FZ **6** **20** **40** **U** **E** **LE**
A B C D E F H
example

Legend

B Size

14	1' x 4'
22	2' x 2'
24	2' x 4'

C Wattage/Lumens (Size 1 x 4)

20	20W/2000 ¹
30	30W/3000 ¹
42	42W/4200 ¹

Wattage/Lumens (Size 2 x 2)

20	20W/2000 ¹
30	30W/2980 ¹
40	40W/3900 ¹

Wattage/Lumens (Size 2 x 4)

34	34W/3380 ¹
42	40W/4180 ¹
48	48W/4870 ¹

D CCT

27	2700K
30	3000K
35	3500K
40	4000K

E Voltage

U	120-277V
---	----------

F Options

E	Emergency ²
FW	Flex Whip

H Controls

LE	LUTRON Ecosystem
LV	LUTRON VIVE
PE	PHILIPS Easysense
NL	nLight
EO	EnlightedONE System

¹Delivered Lumens (4000K): For full lumen chart see page 26
²Shipped separately

B Diameter

18	18" (30W)
24	24" (40W)
36	36" (60W)

C Mounting Style

P	Pendant
R	Recessed Hard Ceiling
T	Recessed T-Bar ¹
S	Surface Mount

E CCT

27	2700K
30	3000K
35	3500K
40	4000K

F Voltage

U	120-277V
---	----------

H Options

E	Emergency
---	-----------

I Controls

LE	LUTRON Ecosystem
LV	LUTRON VIVE
PE	PHILIPS Easysense
NL	nLight
EO	EnlightedONE System

¹Only available for 18" diameter

G Finish

W	White
---	-------

B Width

4	4"
6	6"

C Wattage/Lumens

20	20W/1400
30	30W/2100
40	40W/2880

D CCT

27	2700K
30	3000K
35	3500K
40	4000K

E Voltage

U	120-277V
---	----------

F Options

E	Emergency
---	-----------

H Controls

LE	LUTRON Ecosystem
LV	LUTRON VIVE
PE	PHILIPS Easysense
NL	nLight
EO	EnlightedONE System

We've Got You Covered!

Deco Lighting provides everything you need to handle every interior application you encounter. Our website offers IES files, installation instructions, spec sheets, AND case studies that makes our interior architectural line the simplest, smartest choice in specification-grade LED lighting technology. Our Applications Team stands ready to provide lighting layouts and point-by-points at your request. The Circa™, Skyler™, and FlatZone™ have been independently tested by certified laboratories in accordance with LM-79-08 procedures and are designed to deliver a blend of high efficacy performance and quality illumination. If you have any questions or comments regarding the performance of these products, please contact us at info@getdeco.com

LEGAL NOTES:

Information in this catalog was valid at this time of printing, is non-binding, and should be used for information purposes only. We are not liable for products that differ from illustration or information. Deco Lighting practices a program of continuous product development, and as a result product specifications change frequently. We reserve the right to change product specifications without notice. Contact Deco for the latest product information or visit www.getdeco.com



DECOR | LIGHTING

2917 Vail Ave. Commerce, CA 90040

T: 800-613-3326 • 310-366-6866

F: 310-366-6855

info@getdeco.com

www.getdeco.com

© Copyright 2018 Deco Enterprises, Inc. All rights reserved.

