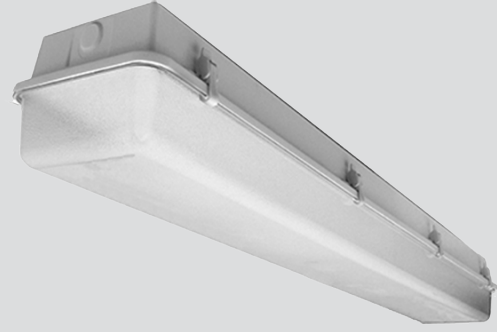




# DECOMESH™ DWH-LED Industrial/Vapor Tight LED

Client: \_\_\_\_\_  
Project Name: \_\_\_\_\_

Order #: \_\_\_\_\_  
Type: \_\_\_\_\_ Qty: \_\_\_\_\_



## Performance Data

CRI

80+

CCT

3000K, 3500K, 4000K, 5000K

Projected Lifetime

100,000+ Hours (L70)

Dimming

1% Dimming Standard

Operating Temperature

-30°C to +60°C Ambient

UL Listed

Suitable for dry, damp, wet locations

<b>NSF</b> Approved	<b>UL</b> Listed	<b>DLC</b> Listed	<b>10 Yr</b> Warranty Including Labor	<b>USA</b> Buy American Act Compliant
------------------------	---------------------	----------------------	---	---

## Description

The DWH series is an energy efficient industrial vaportite fixture that features rugged and durable construction. This series incorporates a full metal fixture housing channel inside a reinforced fiberglass housing with a high impact diffuser and positive cam latching. The DWH series is suitable for interior and exterior applications and can be surface or chain mounted. This fixture has been designed for maximum performance in commercial, institutional and industrial environments where weathering, high temperature, humidity and dust or corrosive fumes are present.

## Features

- Equipped with energy saving ballasts/complies with federal energy efficiency standards.
- Reinforced fiberglass housing.
- High impact acrylic/15% DR diffuser material standard. High impact 50% & 100% DR available.
- Continuous polyurethane gasketing formed to housing provides a seamless seal.
- Watertight hubs standard at each end accepts .5" conduit.
- Die-formed galvanized steel brackets join lens and housing.
- Baked white enamel finish internal channel/high reflectance.
- No holes required for surface/chain mounting.
- Optional top only hub entry or combination top and end hub entry available.
- Unitized internal/external brass mounting stud for structural integrity and continuity of ground.
- UL listed for wet locations, NSF Approved for Splash and Non-food Zones.



## Ordering Information

### A FIXTURE SERIES

DWH-LED Industrial Vaportite LED

### B SIZE

2 2'  
4 4'

### C WATTAGE/LUMENS (SIZE 2)

22 22W/2720<sup>1</sup>

### (SIZE 4)

35 35W/3670<sup>1</sup>

45 45W/5850<sup>1,2</sup>

### D CCT

30	3000K
35	3500K
40	4000K
50	5000K

### E VOLTAGE

UNV 120-277V

### F CONTROLS

BT Bluetooth DECO Mesh™<sup>4</sup>

### G OPTIONS

E	Emergency
MB	Mounting Bracket <sup>3</sup>

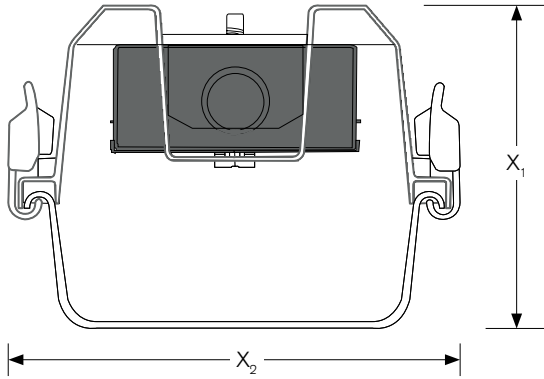
<sup>1</sup> Delivered Lumens (5000K)

<sup>4</sup> 1% Dimming when ordered with Bluetooth

<sup>2</sup> DLC Listed (View matrix on 2nd page for more info)

<sup>3</sup> See Page 4 for additional information on Mounting Bracket option

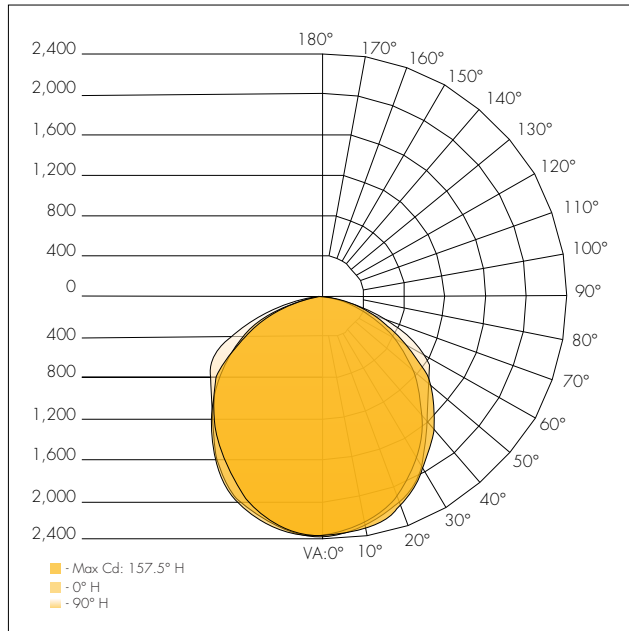
**Dimensions**



	Inches
X <sub>1</sub>	5.00
X <sub>2</sub>	6.625

**Photometrics**

Model 4' 60W 4000K



Zonal Lumen Summary

Zone	Lumens	%Luminaire
0-30	1,834.5	25.8%
0-40	2,991.1	42.1%
0-60	5,256.0	74%
60-90	1,616.3	22.7%
70-100	803.8	11.3%
90-120	188.2	2.6%
0-90	6,872.3	96.7%
90-180	233.1	3.3%
0-180	7,105.4	100%

**Lumen Output**

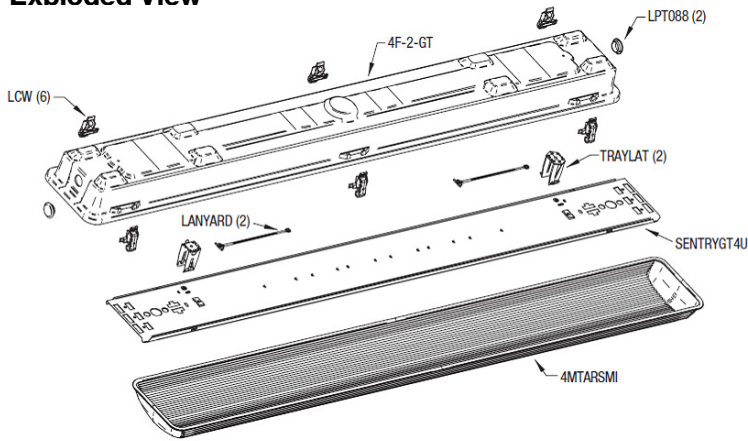
Lumen Chart

Wattage	5000K	4000K	3500K	3000K
22	2720	2630	2580	2530
35	3670	3560	3480	3410
45	5850	5670	5550	5440

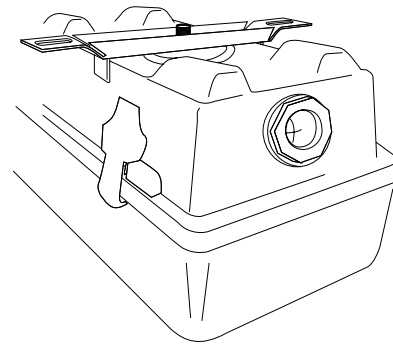
**DLC Listed**

Wattage	5000K	4000K	3500K	3000K
45W		X		

**Exploded View**



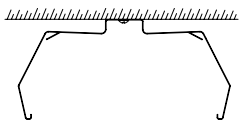
**Mounting Bracket Option**



**Mounting Bracket**

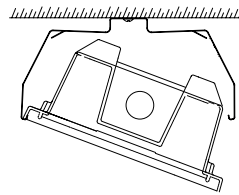
Includes: 1 set of (2) mounting brackets  
 - 1 set to be used per 4-foot section

**Installation**



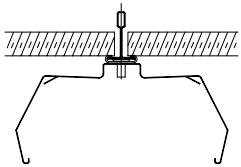
**Install Mounting Bracket.**

- screw hardware by others
- t-bar mounting hardware by others

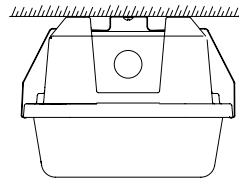
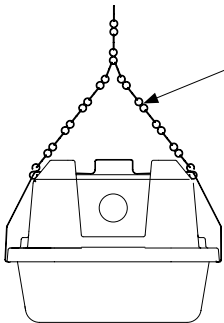


**Install One Slide of Housing into Bracket.**

Rotate Up and Snap Other Slide of Housing into Bracket.



**Chain & Hook by Others.**



**Install Diffuser Once Unit is Securely Installed with Bracket.**