



D207-LED

Small Flood Light

Client: _____
Project Name: _____

Order #: _____
Type: _____ Qty: _____



Performance Data

CRI
70+

CCT
4000K, 5000K

Projected Lifetime
140,000 Hours (L70);
90,000 Hours (L80)

Dimming
0-10V Dimming Standard,
100% down to 10%

Operating Temperature
-40°C to +40°C Ambient

ETL Listed
Suitable for dry, damp, wet
locations



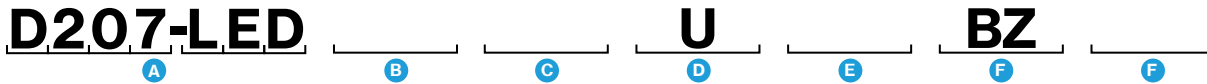
ETL Listed	DLC Listed	DLC Premium	10 Yr Limited Warranty
----------------------	----------------------	-----------------------	-------------------------------------

Description

The functional and aesthetically pleasing D207-LED is ideal for buildings, backyards, parks, signs, sports fields, and other general applications where flood lighting may come into use. Also suitable for accent, facade, landscape, parking lot, pathway, recreation, retail and security lighting.

Features

- High pressure die-cast housing, anti-static powder painting.
- Highly thermal conductive material and high efficiency cooling system
- Efficient COB ensures excellent performance.
- ETL Listed; IP65 rated
- Weight: 4 lbs (20W); 4.5 lbs (30W)
- Wide Flood Beam: NEMA 7H x 6V
- 10-Year Limited Warranty



Ordering Information

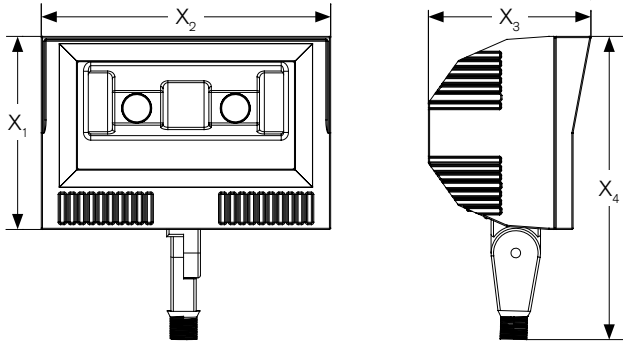
A FIXTURE SERIES	D207-LED	Flood Light
B WATTAGE/LUMENS	20	20W/2030 ^{1,2}
	30	30W/3420 ^{1,2}
C CCT	40	4000K ²
	50	5000K ²
D VOLTAGE	U	122-277V
E MOUNTING	HK	Heavy Duty Adjustable Knuckle
	YM	Yoke Mount

F FINISH	BZ	Bronze
G OPTIONS	T	Push Button Photocell

¹ Delivered lumens (4000K) - For 5000K multiply by 1.03

² DLC Listed

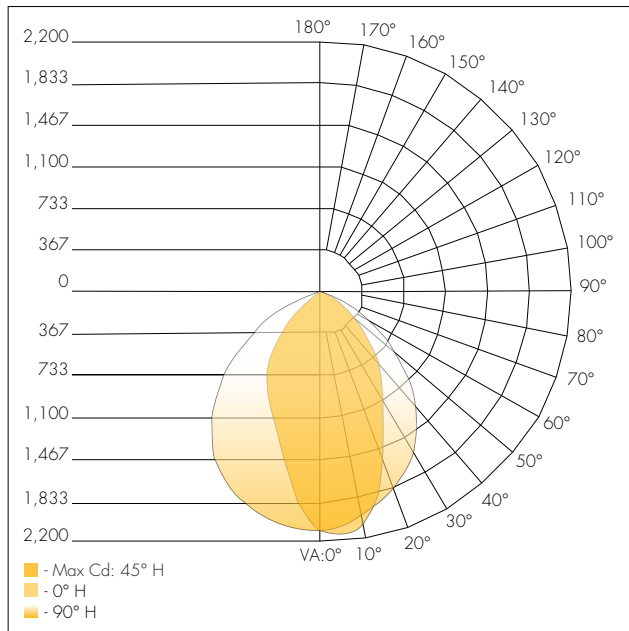
Dimensions



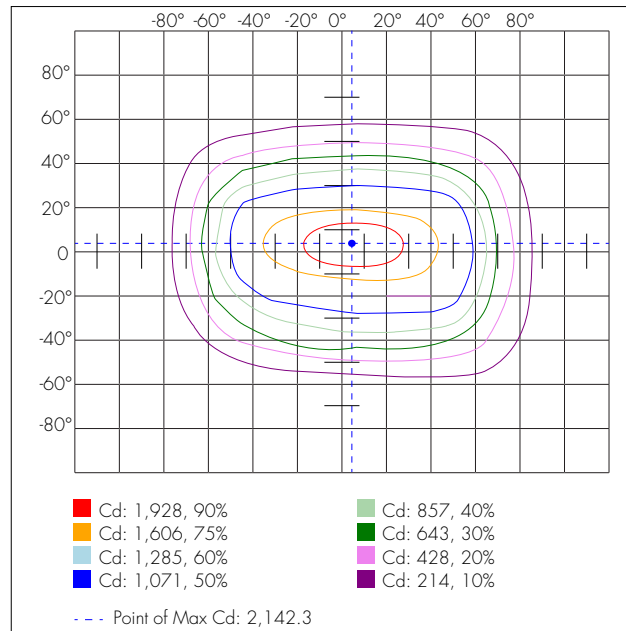
	Inches
X ₁	4.72
X ₂	6.69
X ₃	4.13
X ₄	8.27

Photometrics

Model 30W 4000K



Isolux Plot



Flood Summary

	Efficiency	Lumens	Horizontal Spread	Vertical Spread
Field (10%)	94.7%	3,238.3	141	112
Beam (50%)	56.6%	1,936.5	95.3	56.3
Total:	100%	3,418.3		

Mounting Options

Yoke Mount

Heavy Duty Adjustable Knuckle



Front Side

Side View

Front Side

Side View