

DECO® | LIGHTING



Architectural Lineup

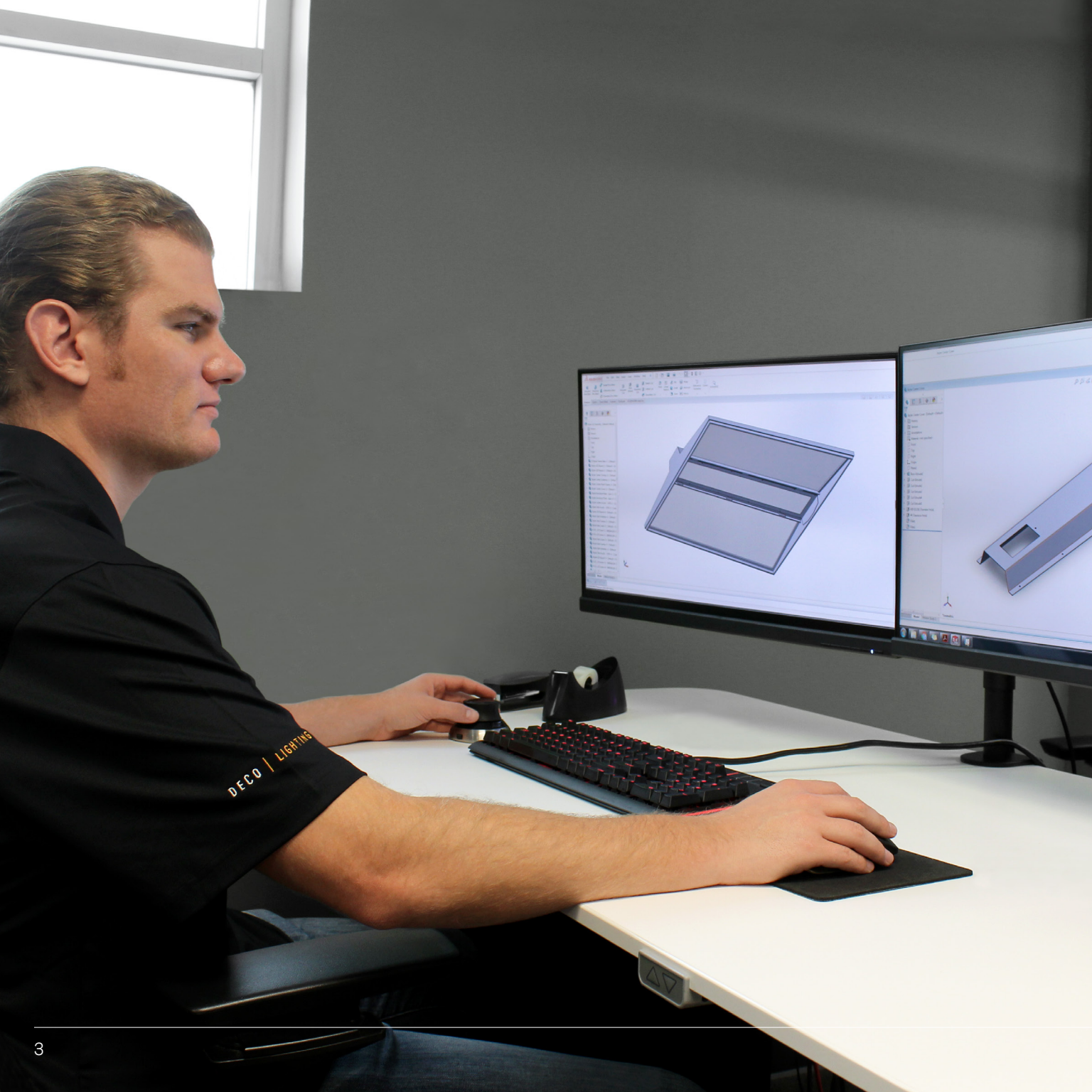


Welcome

Welcome to Deco Lighting's collection of Architectural Lighting products. The products in this catalog are designed with the Lighting community in mind, using the highest quality materials, clean, timeless details, high performance optics, and simple to use mounting details. The products listed here provide lighting designers with a variety of choices to fulfill the demanding requirements of your important projects. Since these products are built to order, many details can be modified to suit your specific project requirements. If you do not find exactly what you are looking for, please contact your local Deco Lighting representative for more information.

A handwritten signature in black ink that reads "Sam Sinai". The signature is fluid and cursive, with the first letters of "S" and "S" being significantly larger and more stylized than the rest of the letters.

Sam Sinai
CEO & Co-Founder



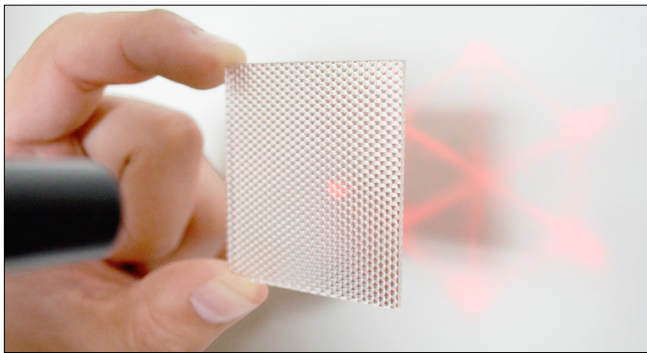


Designed in California

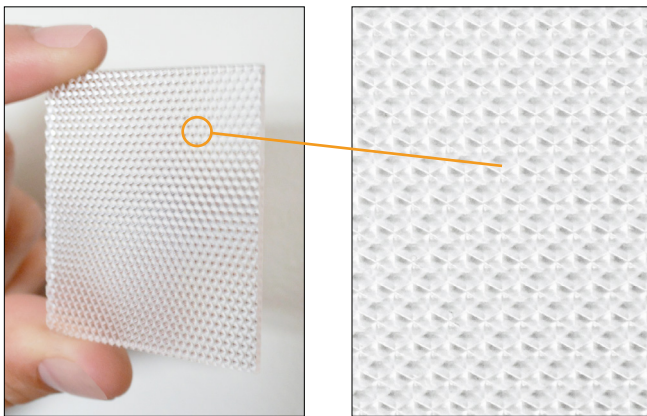
Designed from the ground up in Los Angeles, Deco Lighting's line of architectural products use state up the art optics, drivers, leds and controls to create beautiful designs with excellent illumination and glare free visual comfort. Deco Lighting's Architectural Lighting products give Lighting Designers and End Users useful options and controls to maximize the end user experience. Deco Lighting's proprietary Flat Optics offer beautiful illumination with a UGR<19 rating. Many of Deco Lighting's architectural offerings can use Deco Mesh bluetooth mesh control to provide excellent top level trimming, occupancy and vacancy sensing, and dimming to 1 percent without the need of 0-10V control wiring. The Deco Lighting product development team in Los Angeles is continuously striving to augment its existing product offering with new and innovative luminaire designs.

FLATTM **OPTIX**

Overview



Designed specifically to refract light away from the 60 to 90-degree offending zone of a luminaire, the Flat Optics™ micro-prismatic lens delivers a Unified Glare Rating (UGR) of less than 19, indicating that most occupants of a space will not be disturbed by the uncomfortable glare that has become prevalent due to increases in product efficacy. Flat Optics™ is a revolutionary system that will enhance and redefine an occupant's experience within modern interior spaces. The ability to drastically diffuse and redirect light is a key attribute that allows for softer, well-balanced illumination for office spaces, educational facilities, themed areas, & healthcare applications.



Flat Optics™ Lens

Unified Glare Rating (UGR) is a dimensionless parameter, which provides information into the degree of psychological glare of a lighting installation in an indoor space. Deco's Flat Optics™ technology is the optimal solution for redirecting high-angle light, and reducing visual glare. The light above 60° is redirected downward to improve the Unified Glare Rating (UGR). This allows for the luminaire to be IESNA RP1-04 & EN12464 compliant, which are standards for office and indoor lighting. With Flat Optics™ providing the most optimal, glare-free illumination from any viewing angle, occupants of the interior space will not be affected by the harsh glare that is delivered by high efficacy, low quality luminaires.

Unified Glare Rating (UGR) Benefits

UGR Criteria

Designed specifically to redirect light away from the 60 to 90-degree offending zone of a luminaire, the Flat Optics™ micro-prismatic lens delivers a Unified Glare Rating (UGR) of less than 19, indicating that most occupants of a space will not be disturbed by the uncomfortable lighting glare that has become prevalent in recent years due to increases in product efficacy. Reducing glare has proven to increase student productivity in K-12 classroom environments as well as significantly reducing stress in hospital patient and waiting rooms.

UGR:	Hopkinson's Criterion:
<10	Imperceptible
<13	Just Perceptible
<16	Perceptible
<19	Acceptable

UGR:	Hopkinson's Criterion:
>22	Unacceptable
>25	Just Uncomfortable
>28	Uncomfortable

Deco LED Flat Panel with Flat Optics™ Lens:

- Light is redirected from 60° to 90° degrees of luminaire, UGR <19
- Conical structures built into the lens minimize high angle glare
- Allows for increased efficacy, rather than lumen output glaring at occupants
- High efficiency and energy saving
- Protection class: IP44 Damp Location Rated
- Increased productivity, decreased eye strain.



□ = Volumetric flat panel with micro-prismatic lens will reduce glare going into the occupant's eyes.
= 90° = 60°

Standard LED Flat Panel:

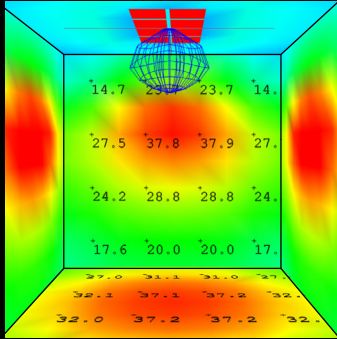
- Harsh glare at viewing angles above 60°, UGR >24
- Wide beam angle at 180°
- Uncomfortable glare
- Reduction in visibility caused by intense light source in field of view
- Protection class: IP22 protects only from objects greater than 12 millimeters
- Loss of productivity, increased eye strain.



■ = High glare flat panel makes occupant's eyes feel uncomfortable.
= 90° = 60°

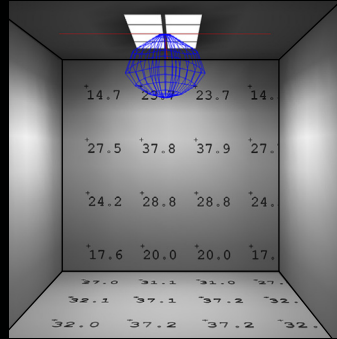
Parabolic Pseudo-Heat Map

Hot and cold spots indicate lumen intensity



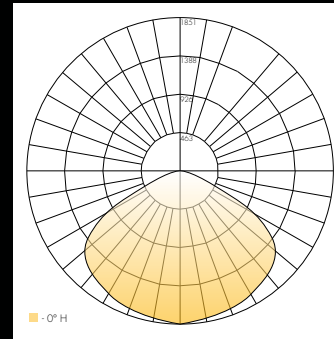
Parabolic Rendering

Visual representation



Polar Candela Distribution:

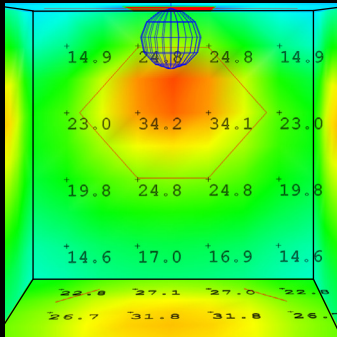
Model: 2X4 Parabolic Troffer • Lumens: 3100



Deep cell parabolic louvered troffers create scattered hot spots and lead to a “caving effect”, meaning ceilings and upper portions of the walls are dark.

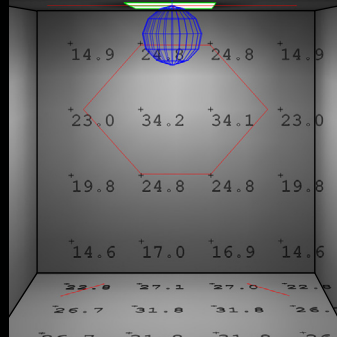
Flat Panel Pseudo-Heat Map

Hot and cold spots indicate lumen intensity



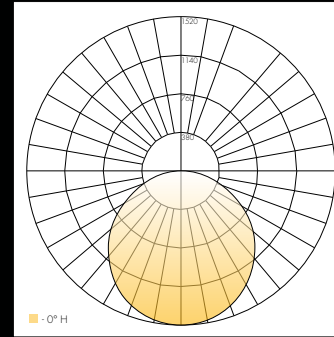
Flat Panel Rendering

Visual representation



Polar Candela Distribution:

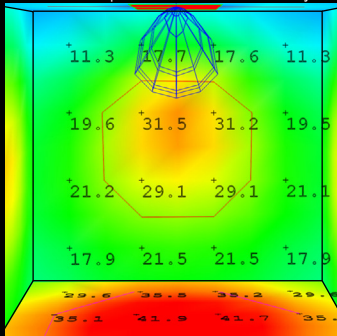
Model: SFP-LED-24-40-50-UNV • Lumens: 4371



While edge lit flat panels more effectively illuminate the walls and ceiling, the 20 percent glare negates any benefits.

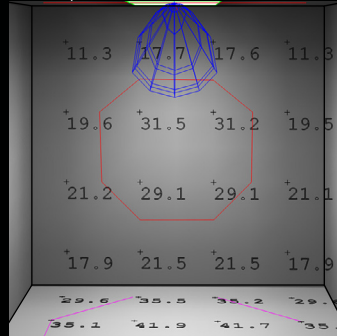
SKYLER Pseudo-Heat Map

Hot and cold spots indicate lumen intensity



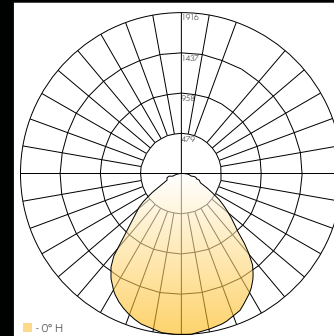
SKYLER Rendering

Visual representation



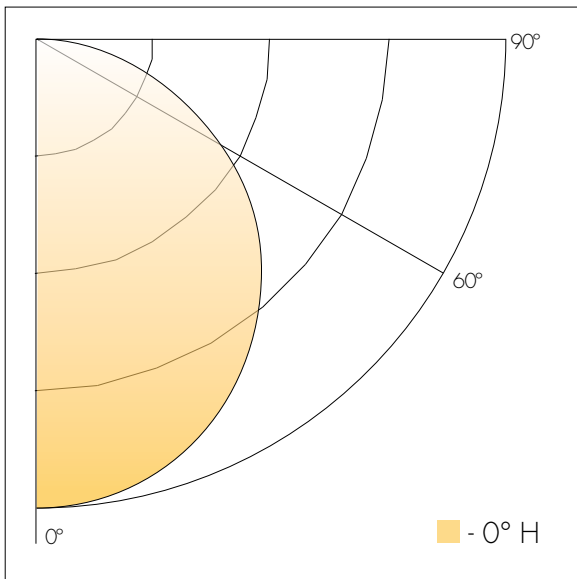
Polar Candela Distribution:

Model: SKYLER-LED-24-40-40-UNV.IES • Lumens: 4154

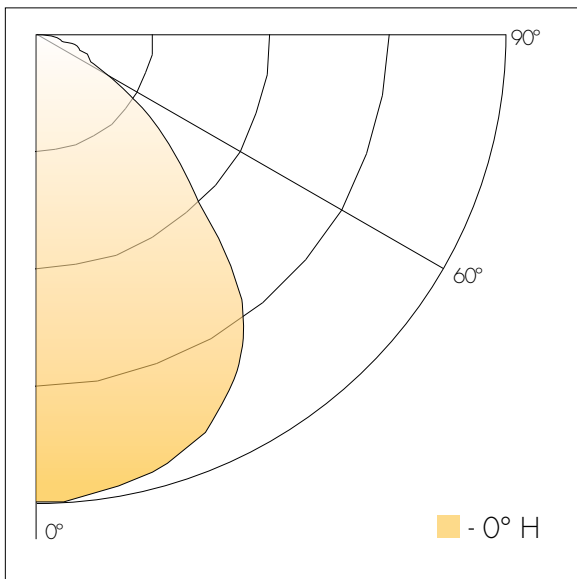


Skyler with Flat Optics™ focuses lumens on task lighting and has about 6 percent of the delivered light in the 60 to 90 degree zone, effectively illuminating the ceiling and walls, while maintaining a UGR<19.

Flat Panel Close Up of 60°-90°



SKYLER Close Up of 60°-90°



Light Control

Luminaires that integrate Flat Optics™ technology deliver glare free illumination for commercial and institutional spaces. Traditional deep cell parabolic louvered troffers eliminate glare, but provide no light to illuminate the ceiling plane or upper portions of the wall, resulting in what is known as the “cave effect”.

Edge lit flat panels and center lensed troffers provide illumination to these areas, but result in glare for the occupants. With edge lit panels, and center basket troffers, up to 24 percent of the lumen output is within the glare zone.

Luminaires with Flat Optics™ have only 6% of the lumens within the glare zone (60 to 90 degrees), resulting in a comfortable, glare free environment. This 6 percent effectively illuminates the ceiling plane and upper regions of the wall, eliminating the “cave effect” of parabolic troffers, while maintaining a Unified Glare Rating (UGR) of less than 19.

SKYLER™





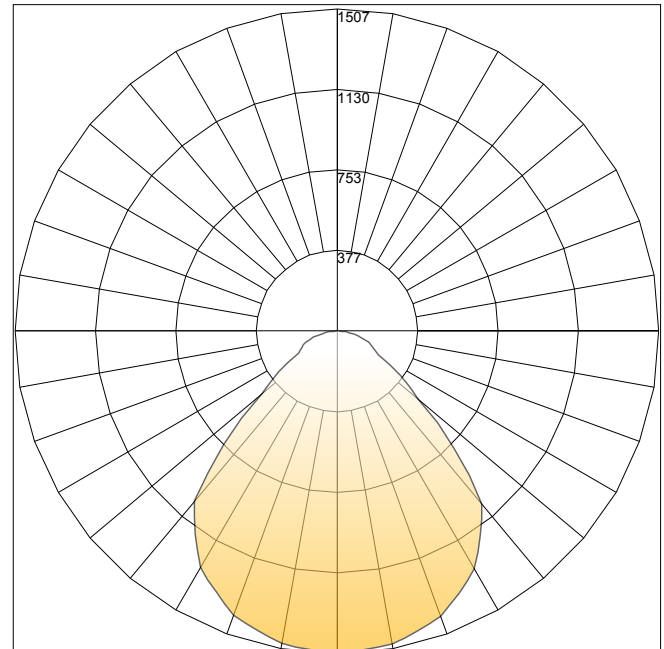
SKYLERTM 2.0

Volumetric Flat Panel Luminaire

The Skyler 2.0 recessed volumetric back lit panel luminaire is an innovative LED fixture designed to deliver a modern aesthetic and complement today's interior spaces. Featuring a low-profile form factor, the Skyler 2.0 is ideal for buildings with a low plenum space and is suitable for all standard 1x4, 2x2 or 2x4 grid ceilings. Incorporating back-lit LED technology and micro-prismatic conical structures in the diffuser lens, the Skyler features a Unified Glare Rating (UGR) of less than 19, delivering light where it is needed and reducing direct glare to inhabitants. This creates a soft and comfortable lighting experience for commercial and institutional spaces including open offices, classrooms, retail and healthcare facilities.

Polar Candela Distribution:

Model: 2X2 40W 3500K • Delivered Lumens: 3159 • CRI: 90



For more information, please [CLICK HERE](#)

Features:

- Die formed CRS housing, powder coated white
- Light emitting surfaces are edge-lit acrylic for uniform illumination
- Micro-prismatic lens delivers a Unified Glare Rating (UGR) of less than 19
- Power Factor > 0.95, Total Harmonic Distortion (THD) < 10%
- FCC Compliant

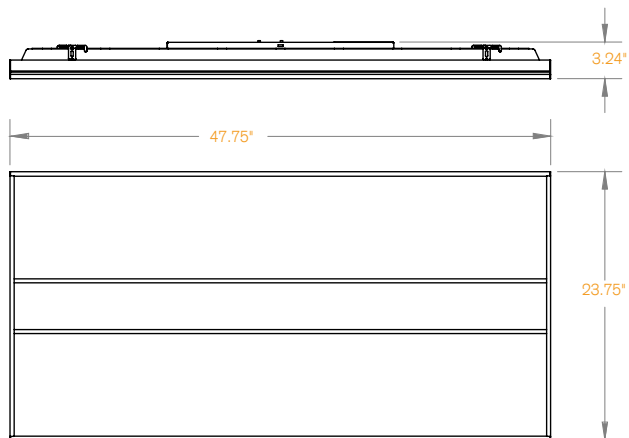


Performance Data Table Chart:

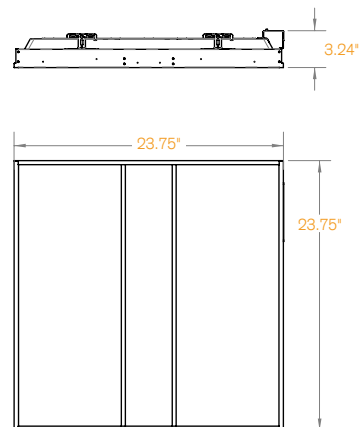
CRI:	90+
CCT:	2700K, 3000K, 3500K, 4000K
Projected Lifetime:	>173,000 Hours (L70); >50,000 Hours (L90)
Dimming:	0-10V Dimming Standard, 100% Down to 10%
Operating Temperature:	-40°C to +50°C
Certifications:	ETL Certified to UL 1598 for Dry and Damp Locations

Dimensions:

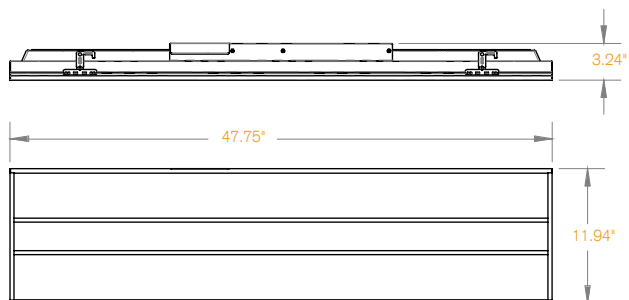
2x4



2x2



1x4



Photometrics: Model 2 x 2 40W 3500K

Coefficients of Utilization • Effective Floor Cavity Reflectance: 20%

RCC%	80				70				50			30			10			0
RW%	70	50	30	0	70	50	30	0	50	30	20	50	30	20	50	30	20	0
RCR:0	119	119	119	119	116	116	116	116	111	111	111	106	106	106	102	102	102	100
1	110	106	103	99	108	104	101	98	100	97	95	96	94	92	92	91	89	87
2	102	95	89	84	99	93	87	83	89	85	81	86	82	79	83	80	77	75
3	94	85	78	72	92	83	77	71	80	75	70	78	73	69	75	71	68	66
4	87	76	69	63	85	75	68	62	73	66	61	71	65	61	68	64	60	58
5	81	69	61	55	79	68	61	55	66	59	54	64	58	54	62	57	53	51
6	75	63	55	49	73	62	54	49	60	54	49	59	53	48	57	52	48	46
7	70	58	50	44	68	57	49	44	55	49	44	54	48	43	53	47	43	41
8	66	53	45	40	64	52	45	40	51	44	39	50	44	39	49	43	39	37
9	61	49	41	36	60	48	41	36	47	41	36	46	40	36	45	40	36	34
10	58	45	38	33	57	45	38	33	44	37	33	43	37	33	42	37	33	31

Zonal Lumen Summary

Zone	Lumens	%Luminaire
0-30	1170.77	37.10%
0-40	1872.61	59.30%
0-60	2776.27	87.90%
0-80	3117.45	98.70%
0-90	3159.37	100%

Lumen Chart

Size	Sys Watt	3000K	LPW	3500K	LPW	4000K	LPW
1x4	20	1720	86	1740	87	1821	91
	26	2210	85	2236	86	2340	90
	35	2835	81	2870	82	3002	86
2x2	20	1940	97	1960	98	2054	103
	26	2366	91	2392	92	2505	96
	35	2975	85	3010	86	3535	90
2X4	26	2626	101	2652	102	2780	107
	35	2295	97	3430	98	3595	103
	45	4095	91	4140	92	4336	96

IRCA 2TM





CIRCA 2TM

Round Edge-Lit LED

Features:

- Heavy gauge extruded aluminum housing. Spun aluminum driver housing. Vacuum formed, single piece acrylic lens.
- Sizes: 14", 18", 24", 35" and 47" diameters
- Powder Coating finish is adopted, White Matte Texture, Black Matte Texture are standard, Silver Matte Texture customized.
- LED Light Engine is available as HLO (High Lumen Output) and SLO (Standard Lumen Output) providing efficient illumination, Support Direct, Indirect/Direct distribution.
- The Circa 2 boasts a single sheet acrylic matte diffusion cover to make it stand out from the competition. There are no seams on this elegant disc.



Performance Data Table Chart:

CRI:	82+ Standard, 90+ Optional
CCT:	Selectable 3000K, 3500K, 4000K
Projected Lifetime:	104,000 Hours (L70)
Dimming:	0-10V Dimming Standard, 100% down to 1%
Operating Temperature:	-20° to +40°C Ambient
Certifications:	ETL

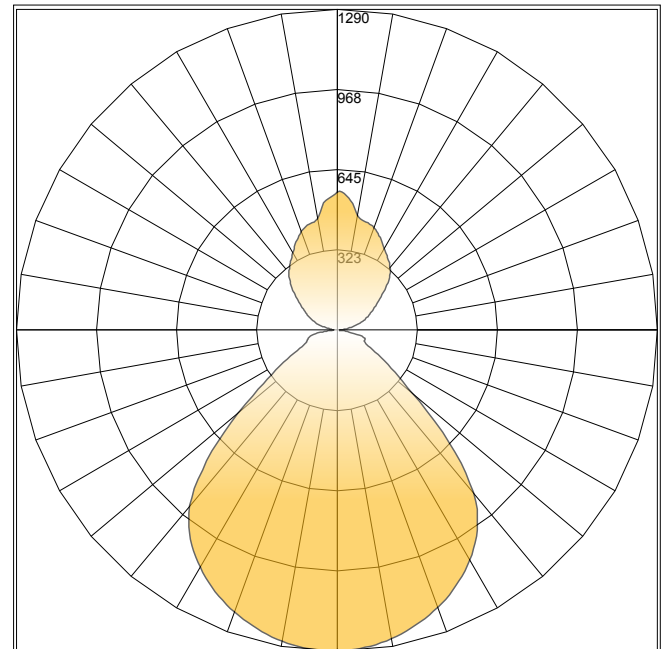
Design and performance all wrapped into one luminaire. The Circa 2 is tailor-made for the architectural community that demands high quality profiles centered around the latest LED technology available.

Acrylic matte diffusion cover is used to make the light more comfortable, edge lighting technology ensures even illumination of the lens.

The Circa 2 has several options, with five sizes corresponding to different lumens and a choice of up and down lighting or down lighting. The flexibility with (CLO) Custom Lumen Output allows this fixture to be used in multiple applications such as: Multi-purpose rooms, atrium, open offices, hospitality or retail establishment.

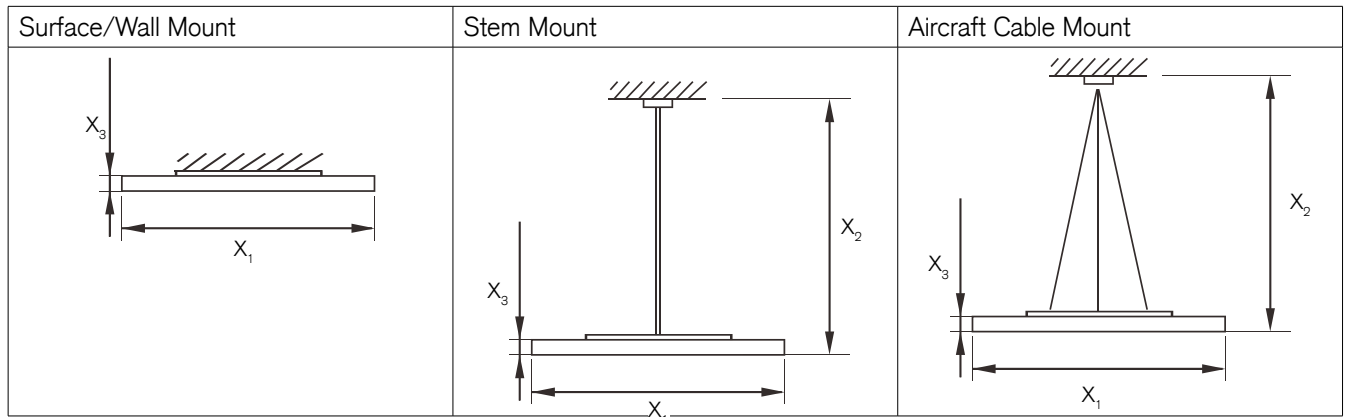
Polar Candela Distribution:

18" 30/35/40K - 40W



For more information, please [CLICK HERE](#)

Dimensions:



	Inches		
	Surface/Wall Mount	Stem Mount	Aircraft Cable Mount
X₁	14"/18"/24"/35"/47"	14"/18"/24"/35"/47"	14"/18"/24"/35"/47"
X₂	-	36"	96"
X₃	2.2"	2.2"	2.2"

Lumen Chart

OUTPUT SELECTION

14"

Wattage	23
Delivered Lumens	2000

18"

Wattage	40
Delivered Lumens	4000

24"

Wattage	62
Delivered Lumens	6800




35"

Wattage	100
Delivered Lumens	11500

47"

Wattage	132
Delivered Lumens	16000

Mounting Options

Pendant Aircraft Cable	Pendant Stem	Surface/Wall
		

TM

ronde





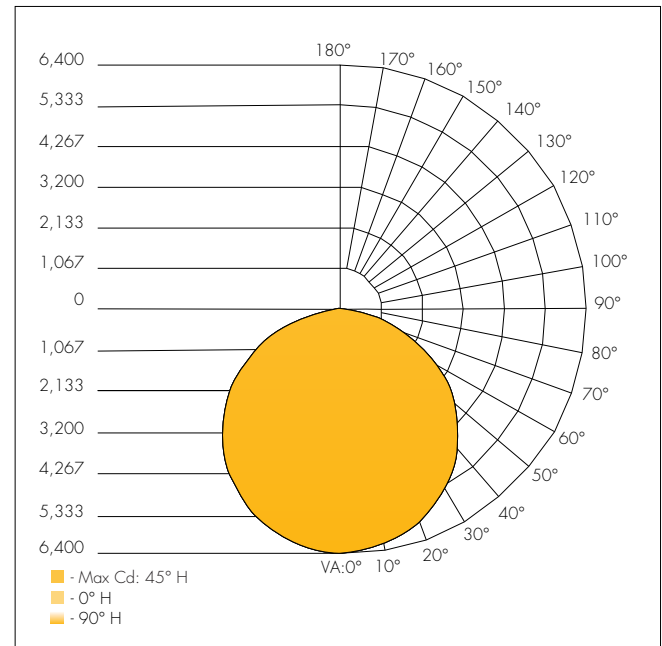
ronde™

Ronde Series LED Luminaire

The Ronde interior architectural luminaire gives you the choice of form and mounting. Surface or pendant mounted, the Ronde will create an effect that will enhance the aesthetic of any space. The Ronde features a minimalist, modern design and is best suited for offices, lobbies, retail, schools, libraries, and themed spaces.

Polar Candela Distribution:

Model: 5' High Output, 3500K • Delivered Lumens: 18,419 • CRI: 82



For more information, please [CLICK HERE](#)

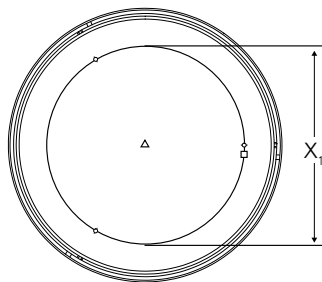
Features:

- Available in 14" to 5' diameters
- White acrylic diffuser lens provides soft, ambient illumination
- Housing is two-piece, die-formed, spun aluminum
- Gloss or Textured White finishes standard, custom colors available
- Fixture is to be suspended by aircraft cables, top-swivel stems or surface-mounted

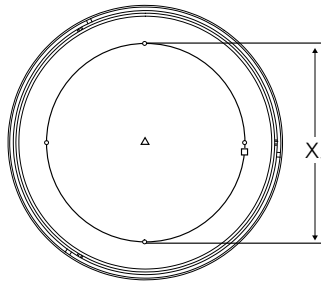
Performance Data Table Chart:

CRI:	80+
CCT:	3000K, 3500K, 4000K, 5000K
Projected Lifetime:	133,000 Hours (L70); 84,000 Hours (L80)
Dimming:	0-10V Dimming Standard
Operating Temperature:	-30° to +45°C Ambient
Certifications:	ETL

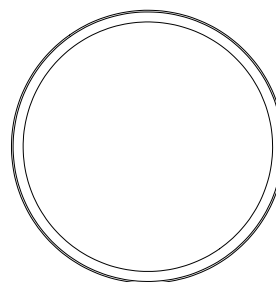
Dimensions:



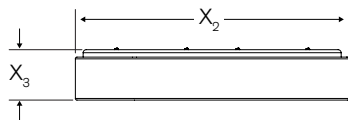
Top
14", 2' – 3 pt. Mounting



Top
3', 4', 5' – 4 pt. Mounting



Bottom



Side

Key	
△	Power Feed for Mono, Surface, Stem
□	Power Feed for Straight Cable
○	Mounting

	14"	2'	3'	4'	5'
Mounting, X₁	10.3"	19.0"	26.0"	36.0"	47.0"
Diameter, X₂	14.0"	26.3"	36.2"	47.2"	59.0"
Height, X₃	3.7"	4.8"	4.8"	5.1"	5.2"
Weight (lbs)	10	45	70	90	110

Wattage/Lumen Output Chart:

Direct (Down) Lumen Chart

OUTPUT SELECTION	LOW	MID	HIGH
2'			
Nominal Wattage	40	55	80
Actual Wattage	39	55	81
Delivered Lumens	3120	4400	6480
3'			
Nominal Wattage	80	100	120
Actual Wattage	80	101	119
Delivered Lumens	6400	8080	9520
4'			
Nominal Wattage	115	160	210
Actual Wattage	115	157	211
Delivered Lumens	9200	12560	16880
5'			
Nominal Wattage	200	235	260
Actual Wattage	203	235	259
Delivered Lumens	16240	18800	20720

Lumen outputs shown are for 4000K. For other color temps, use the lumen factors below:
 5000K: 1.10
 4000K: 1.00
 3500K: 0.90
 3000K: 0.85

Indirect (Up) Lumen Chart

OUTPUT SELECTION	LOW	MID	HIGH
2'			
Nominal Wattage	20	25	40
Actual Wattage	19	25	40
Delivered Lumens	1520	2000	3200
3'			
Nominal Wattage	40	55	80
Actual Wattage	39	55	81
Delivered Lumens	3120	4400	6480
4'			
Nominal Wattage	80	100	120
Actual Wattage	80	101	119
Delivered Lumens	6400	8080	9520
5'			
Nominal Wattage	115	160	210
Actual Wattage	115	157	211
Delivered Lumens	9200	12560	16880

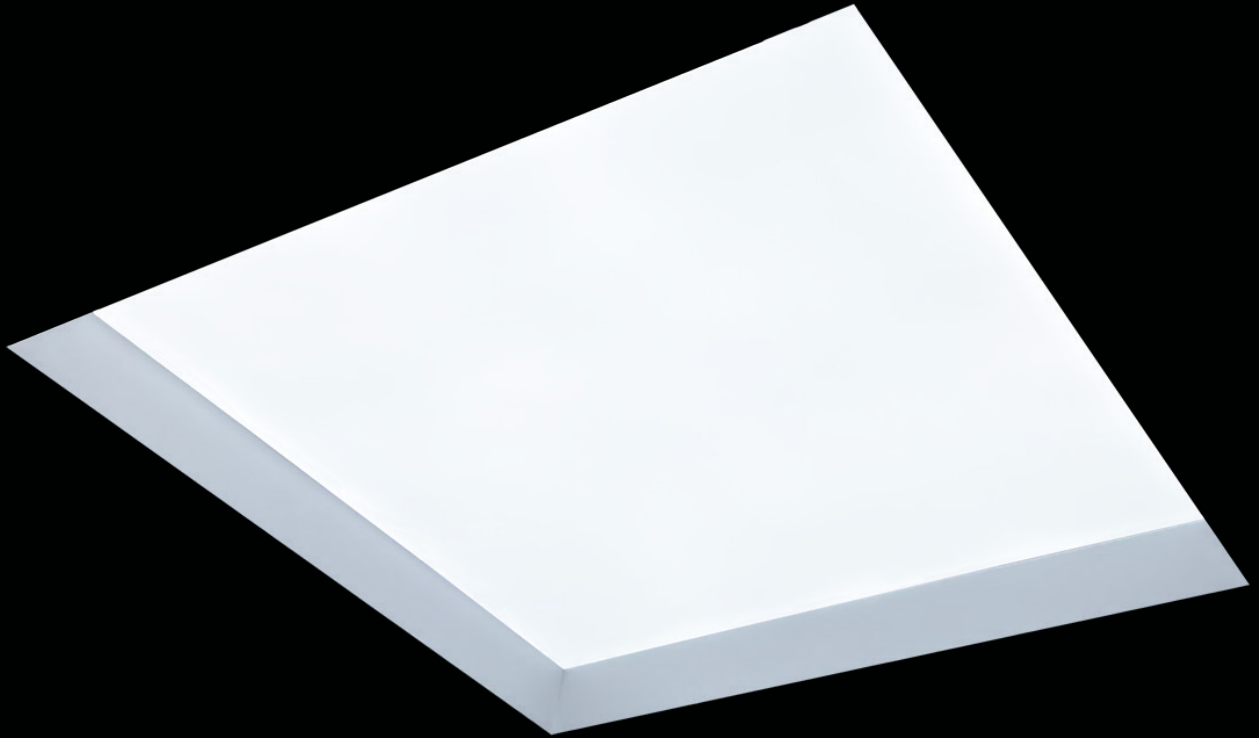
Mounting Options



*Only available in Direct Version Only

SKYLINETM
S





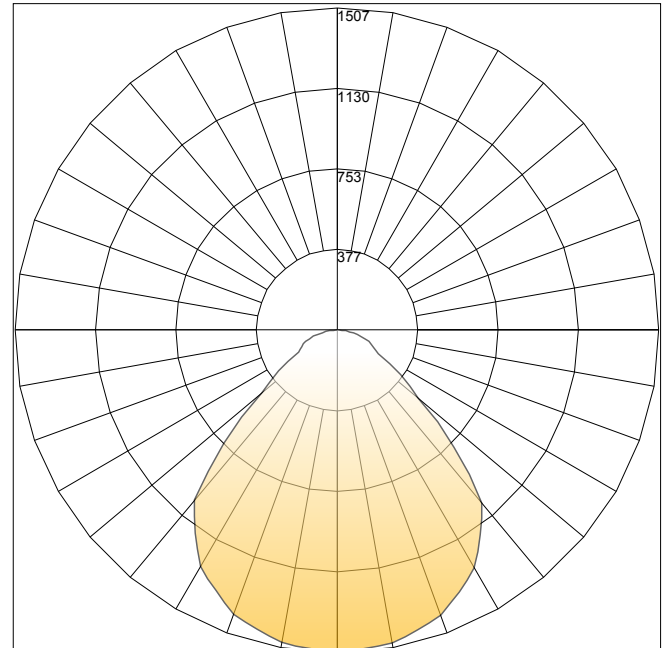
SKYLIT™

Bezel Frame Kit

The Skylight is a bezel frame that provides a 1.75" regress detail to Deco Lighting's BLP Luminaire, creating a pleasant skylight effect that reduces glare and breaks up the visual monotony of a Suspended T Bar Ceiling with little effort and cost. The frame is shipped unassembled, and is quickly assembled using a screwdriver. An integrated screw channel allows for screws to be fastened through the t bar for seismic conditions. A mud in version of the bezel frame allows a seamless, professional look in drywall ceilings.

Polar Candela Distribution:

Model: 2X2 40W 3500K • Delivered Lumens: 3159 • CRI: 90



For more information, please [CLICK HERE](#)

Features:

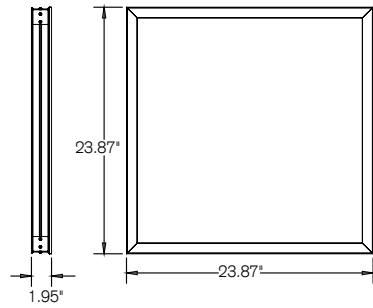
- Frame: Powder coated aluminum extrusion, post painted after fabrication.
- Corner Brackets: Powder coated rolled steel.
- Temperswitch allows users to select between 5000K, 4100K, and 3500K in the field by simply switching an easily accessible three position switch. Fixture comes set/standard at 50K.

Performance Data Table Chart:

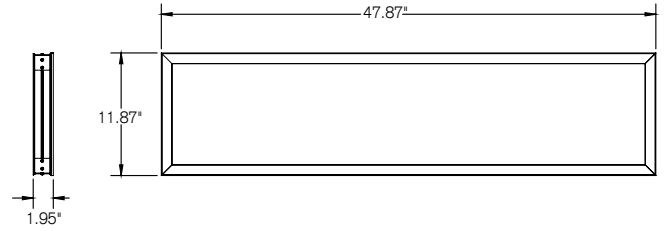
CRI:	82
CCT:	3500K, 4000K, 5000K
Projected Lifetime:	>173,000 Hours (L70); >50,000 Hours (L90)
Dimming:	Low Flicker, 0-10V standard
Operating Temperature:	-4 to 113°F
Certifications:	UL Listed Suitable for Damp Locations

T-Bar Dimensions:

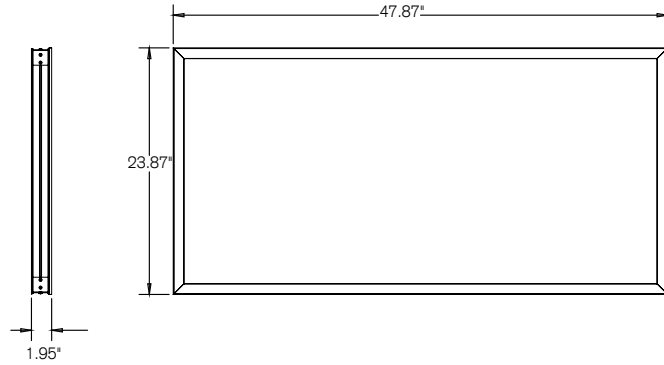
2x2'



1x4'

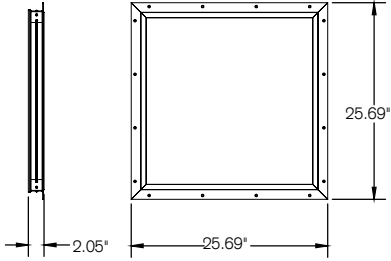


2x4'

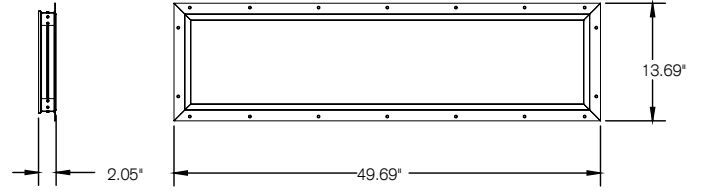


Mud-In Dimensions:

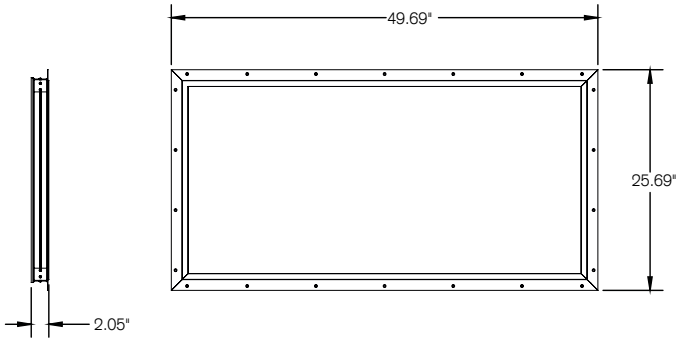
2x2'

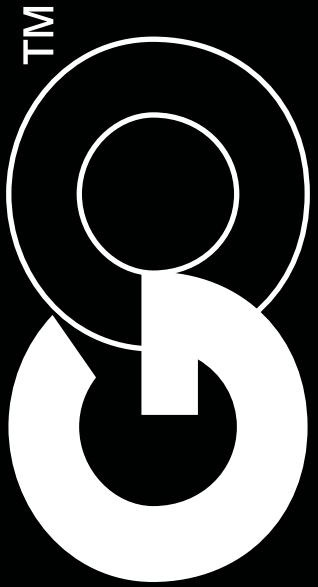


1x4'



2x4'







GO-LED Fixture

Architectural LED Luminaire

Features:

- High reflectance optical engine delivers main beam focus through the optically designed acrylic lens.
- Linear ribbed acrylic lens overlay manages the balance of efficiency and aesthetics.
- Delivers efficacy of up to 152 lm/W
- Linear arrayed LED modules provide soft, but effective illumination.
- Ideal for recessed commercial applications such as office spaces, hospitals, educational facilities, transportation centers, etc.
- Frosted acrylic lens easily removes for cleaning.
- Dimming (0-10V) and Architectural Narrow lens are standard.
- FCC Compliant
- Temperswitch allows users to select between 5000K, 4000K, and 3500K in the field by simply switching an easily accessible three position switch. Fixture comes set/standard at 40K.

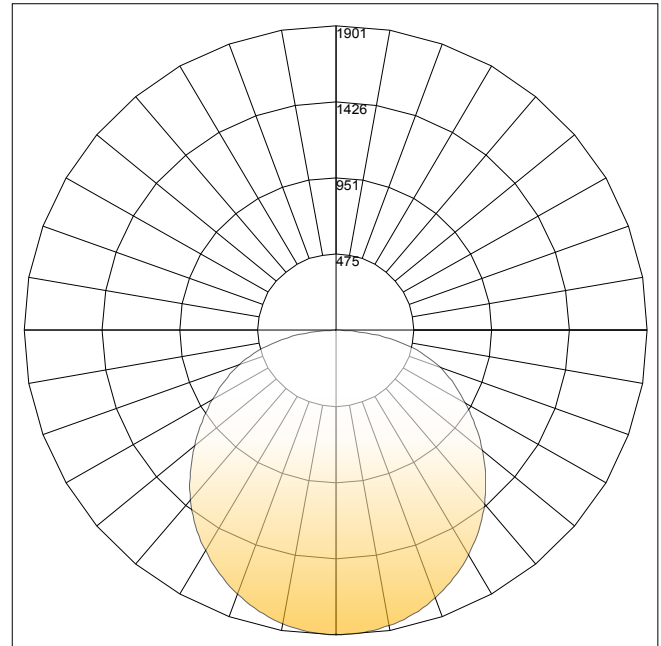
Performance Data Table Chart:

CRI:	80+
CCT:	3500K, 4000K, 500K, 5W
Projected Lifetime:	>173,000 Hours (L70); >50,000 Hours (L90)
Dimming:	0-10V Dimming Standard, 100% Down to 10%
Operating Temperature:	-30°C to +50°C Ambient
Certifications:	UL and cUL, Suitable for dry and damp locations; IC-rated

The design-driven Game Over LED Fixture features easy installation and delivers a cost-saving solution for upgrading fluorescent troffers or parabolics to LED technology. Ideal for commercial applications such as offices, classrooms, healthcare facilities, and retail spaces. All of Deco's Game Over LED Fixtures come standard dimmable and offer the most advanced LED technology on the market with efficacies of up to 152 lumens per watt. GO-LED Fixtures are manufactured with quality components and finishes, resulting in consistent and balanced lighting when mixing configurations in the same space. A main diffuser and slanted troffer reduce the GO Fixture's glare to provide soft, dispersed illumination with the comfort of inhabitants in mind.

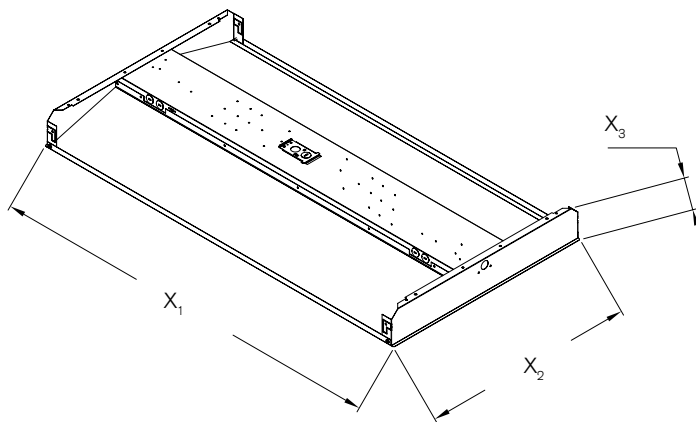
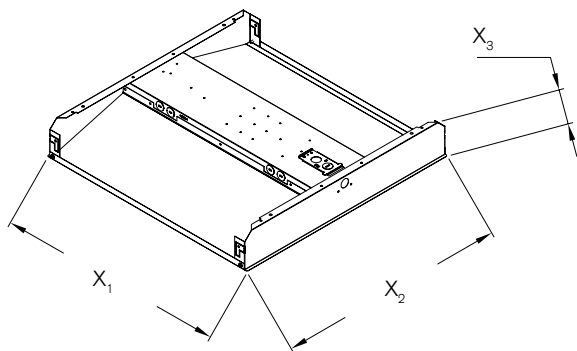
Polar Candela Distribution:

Model: 2X4 39W 3500K • Delivered Lumens: 5772 • CRI: 85



For more information, please [CLICK HERE](#)

Dimensions:



	X ₁	X ₂	X ₃
2 x 2	23.78	23.78	3.70
2 x 4	47.80	23.78	3.70

Lumen Chart

Size	Wattage	3500K		4000K		5000K	
		Lumens	LPW	Lumens	LPW	Lumens	LPW
2x2	24	3336	139	3600	150	3552	148
	39	5265	135	5694	146	5460	140
2 x 4	32	4512	141	4864	152	4672	146
	39	5343	137	5772	148	5538	142

Air Return Option

Air Supply/Return



VECTOR™



Flexibility

The Vector series of luminaires and accessories delivers an infinite toolbox for specifiers, architects, and lighting designers to utilize. Featuring a variety of finishes, color temperatures, aperture sizes, lengths, and control solutions, the Vector can be deployed in an endless number of arrangements to create a truly unique space.

Color Options



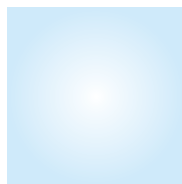
2700K



3000K



3500K

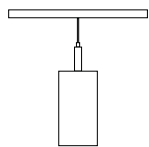


4000K

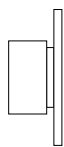


RGBWW

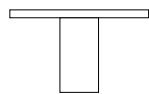
Mounting



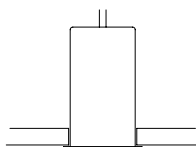
pendent



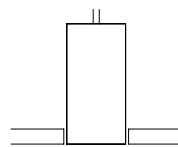
wall mount



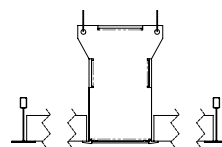
surface mount



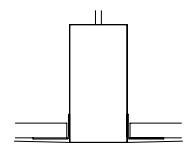
recessed flanged



recessed flangeless



recessed t-bar

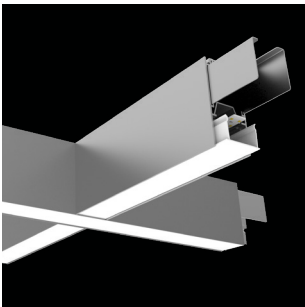


mud in flange

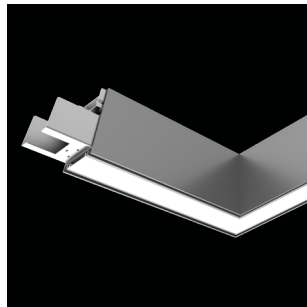
Versatility

Available with several lit joiner accessories, the Vector linear series can transform into any variety of shapes to execute unique interior designs, from simple to complex. The Cross, Lit Corner, Tee, and Wall-to-Ceiling standard accessories enable the luminaire series to become an active element in the desired aesthetic of a space.

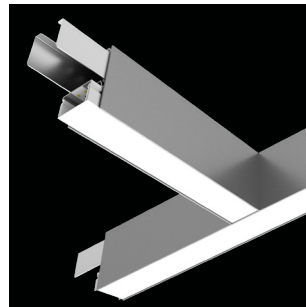
Accessories



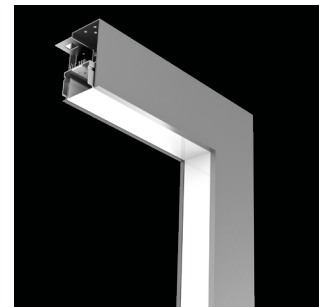
cross



lit corner



tee



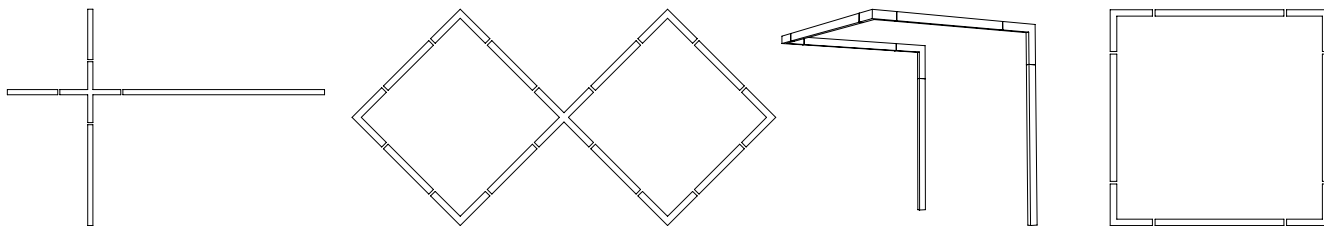
wall to ceiling

Patterns

In addition to the standard shapes available on the Vector, the variety of joiner accessories provides designers with a blank canvas to create any number of unique fixture layouts.

From simple to complex designs, the Vector can transform into asymmetric crosses, interweaving squares, or even three-dimensional runs utilizing the wall-to-ceiling accessory.

Imagine the possibilities.



Continuous Runs

Continuous runs of the Vector can also be ordered through the Quickship program. Please consult the Continuous Run Guide on our website to determine the individual lengths needed.

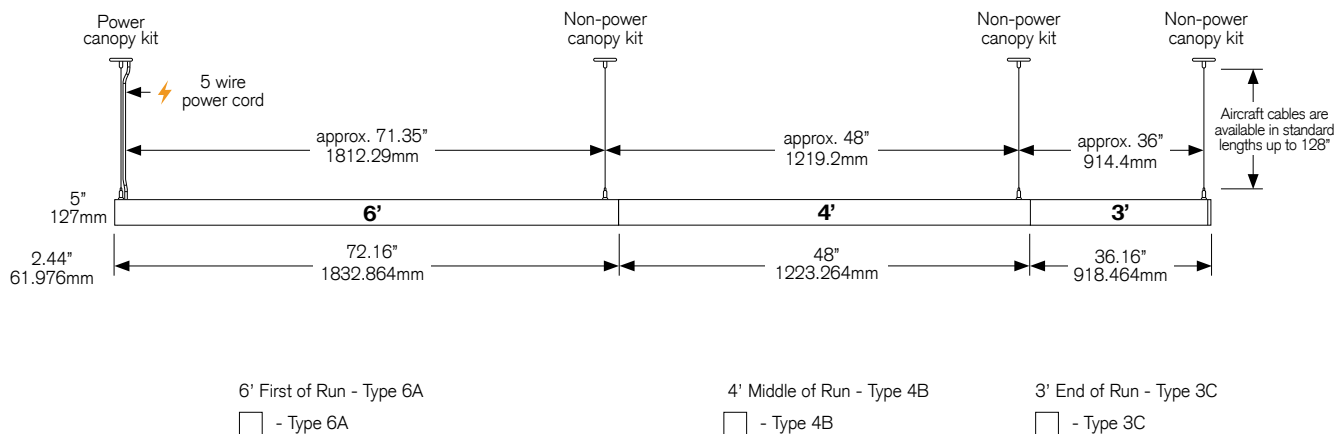
For instance:

A 24' run would consist of an 8' first of run, an 8' middle of run, and an 8' end of run. These sections are indicated by a letter at the end of each order code:

A=First, **B**=Middle, and **C**=End.

A configurator for continuous runs will soon be available online.

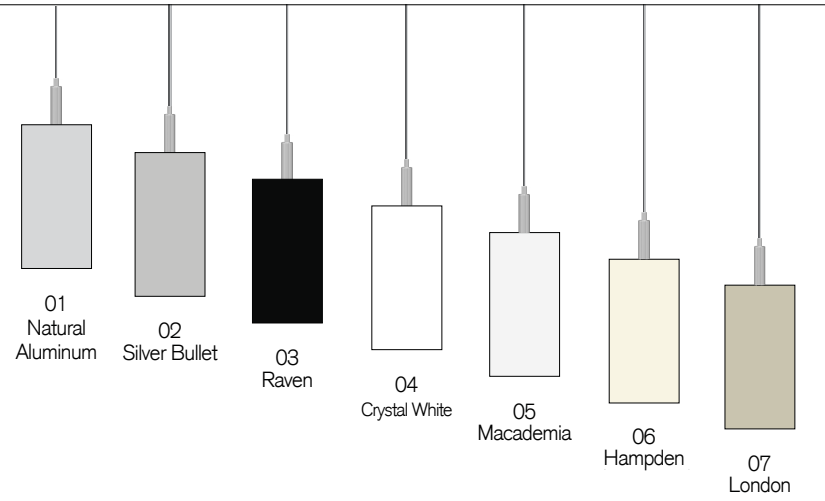
Example: Submittal Drawing 13' Continuous Run - Pendant



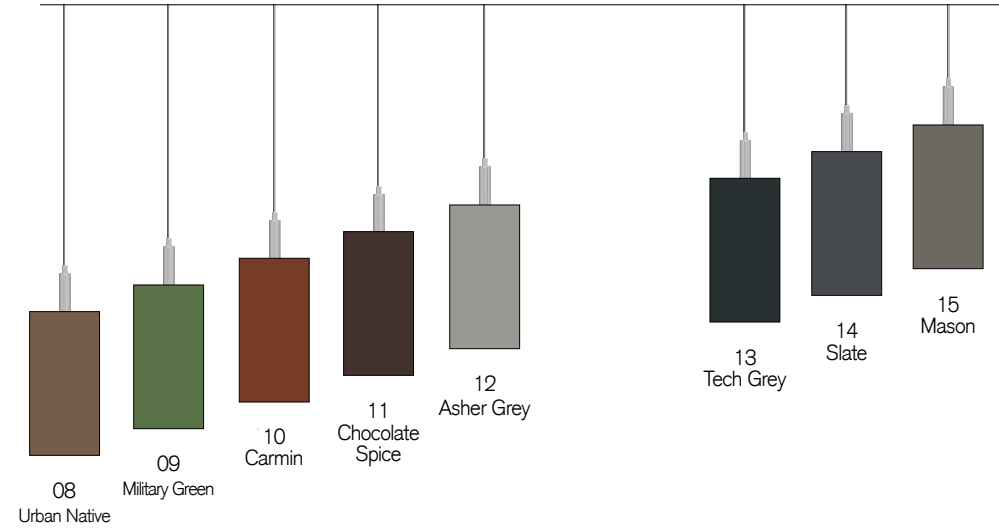
Custom Color Options

The Vector features a unique set of 24 special paint finishes. These standardized colors enable designers to match the Vector to the aesthetic of a space without having to worry about the extended lead times associated with “custom” finishes. This preset palette of 24 finishes adds only marginal lead time and cost over a standard Vector luminaire.

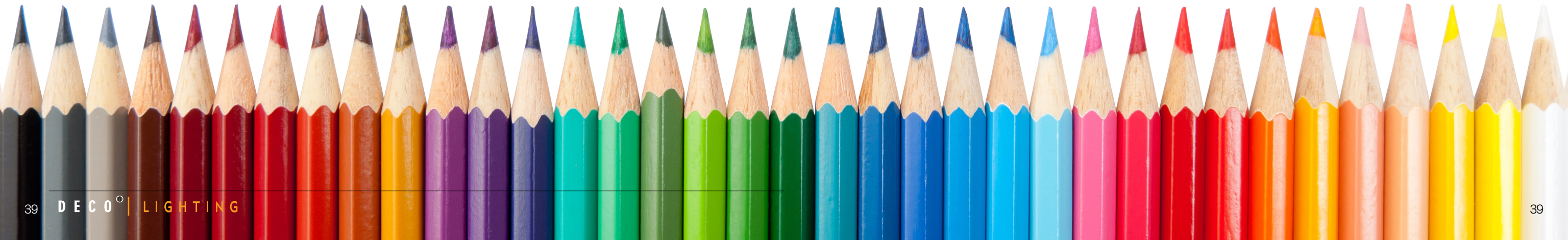
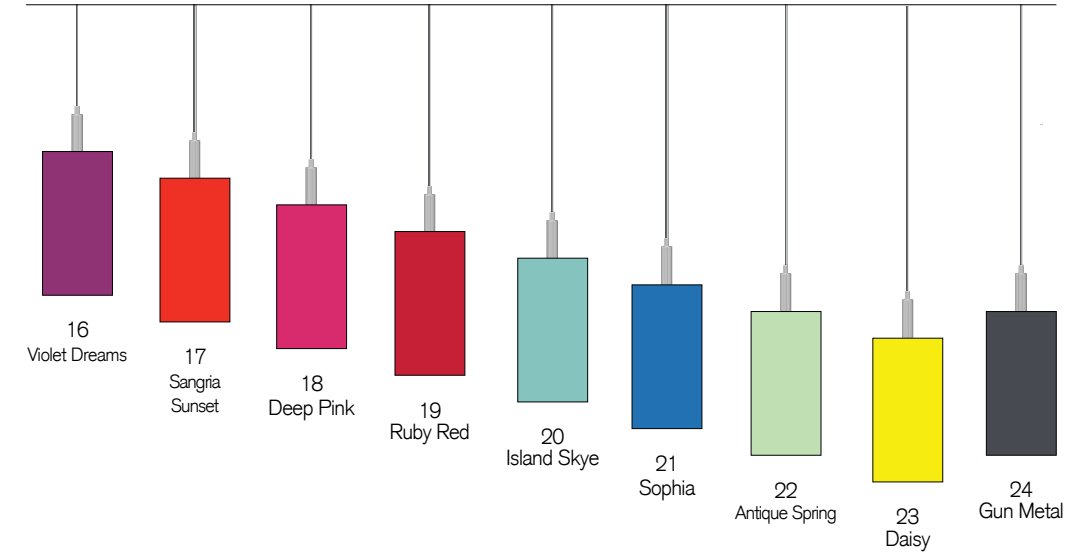
A-Classic Series



B-Urban Series



C-Fresh Series



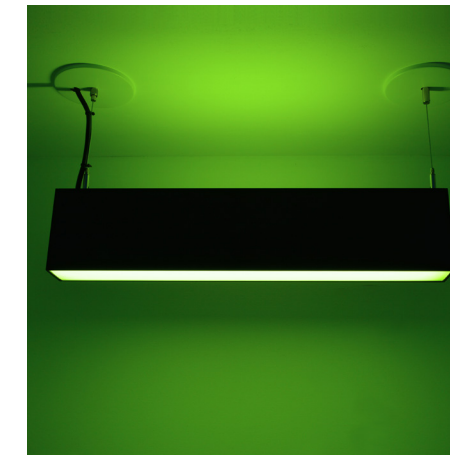
5 Channel Color Tuning

The number of control channels deployed in a color tuning system impacts the quality of the light and consistency of color. It also affects the color tuning range, the level of gamut control and the efficacy of the solution.

Deco Spectrum™ mixes five different colors of high brightness, broad spectrum LEDs – none of which are white – to deliver light that is 2 MacAdam ellipses about the Planckian curve at 90+ CRI across the tuning range. The result: light that accurately depicts – across the full tuning range – the object's color as compared to its color in true sunlight.

Benefits:

- Perfectly natural white light.
- On-Planckian tuning from 1650K to 8000K.
- Dimming from 100% to 1% while maintaining CCT, or variable CCT from 3050K down to 1800K to match traditional incandescent or MR-16 lamp dimming
- Industry-leading color rendering (Ra) greater than 90, throughout the tuning range.
- Gamut control for unlimited control and customization of lighting design using the Saturation and Hue controls.
- Consistent color of 2 SDCM about the Planckian Curve over the life of the module.





Features:

- Selected by IES for the 2017 Progress Report
- Dual Circuit (DC) option enables independent dimming and control of uplight/downlight
- Up to 1200 lm/ft direct, 1,400 lm/ft indirect at 4000K

Physical:

- Profile Dimensions: 1.71" wide x 5" high
- End Caps: Die cast aluminum with powder coat finish
- Housing: Extruded Aluminum with powder coat finish
- Direct Lens: Extruded Satin Acrylic
- Indirect Lens: Extruded clear Acrylic
- Light Engine: Aluminum core LED board mounted to a white extruded chassis with integral driver and quick electrical disconnects for rapid tool-less servicing

Performance Data Table Chart:

CRI:	95 min with R9 of 69 or better
CCT:	2700K, 3000K, 3500K, 4000K, 5 Channel Color Tuning
Projected Lifetime:	110,000 Hours (L90) 240,000 Hours (L80)
Dimming:	0-10V Dimming Standard,
Operating Temperature:	-30°C to +55°C
Certifications:	ETL Certified to UL 1598 for Dry and Damp Locations

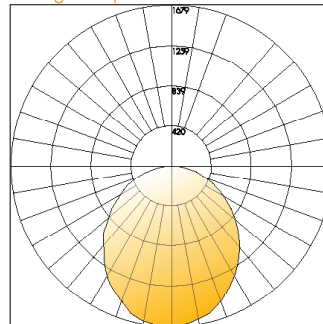
VECTOR™ 1

Volumetric Flat Panel Luminaire

The Vector 1 is a 1.75" wide linear architectural luminaire. While the Vector has a slim and discreet profile, it provides excellent illumination for offices, laboratories, libraries, and commercial spaces. Vector is available in standard lengths of 2', 3', 4', 6', and 8', and can be joined together in seamless runs of any length in 1 foot increments.

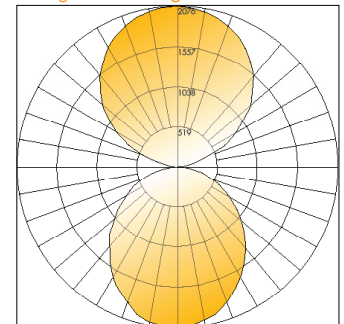
Polar Candela Distribution:

4' High Output 4000K



Delivered Lumens: 4640
CRI: 97

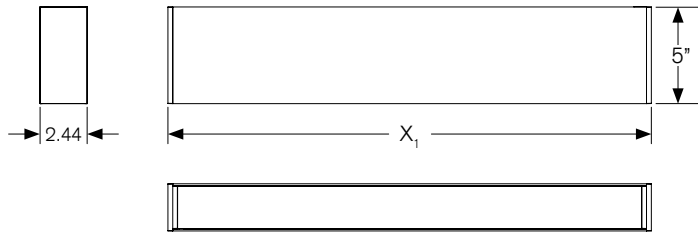
4' High Direct / High Indirect 4000K



Delivered Lumens: 10,400 (4640
Direct / 5760 Indirect)
CRI: 97

For more information, please [CLICK HERE](#)

Dimensions:



	2	3	4	6	8
X_1	24.32"	36.32"	48.32"	72.32"	96.32"

Mounting Options

Pendant	Surface	Wall	Recessed
Recessed T-Bar	Mud-in Flange		

Direct (Down) Lumen Chart:

OUTPUT SELECTION	LOW	MEDIUM	HIGH
NOMINAL WATTAGE	7.5W/ft	10W/ft	15W/ft
LUMENS PER FOOT	570	855	1160
2' LENGTH			
System Wattage	12.00	18.00	24.00
Lumen Output	1140	1700	2320
3' LENGTH			
System Wattage	18.00	27.00	36.00
Lumen Output	1710	2550	3480
4' LENGTH			
System Wattage	24.00	36.00	49.00
Lumen Output	2280	3400	4640
6' LENGTH			
System Wattage	36.00	54.00	72.00
Lumen Output	3420	5100	6960
8' LENGTH			
System Wattage	48.00	72.00	96.00
Lumen Output	4560	6800	9280

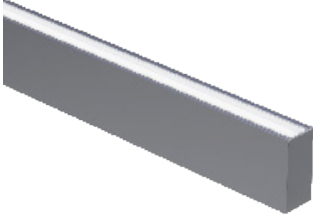
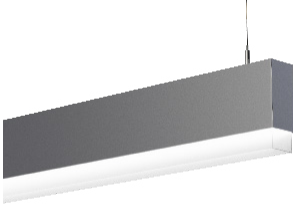
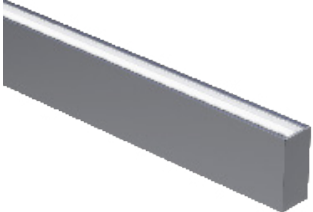
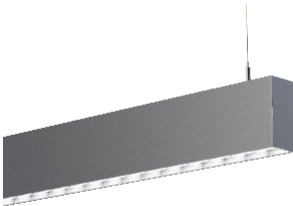
Indirect (Up) Lumen Chart:

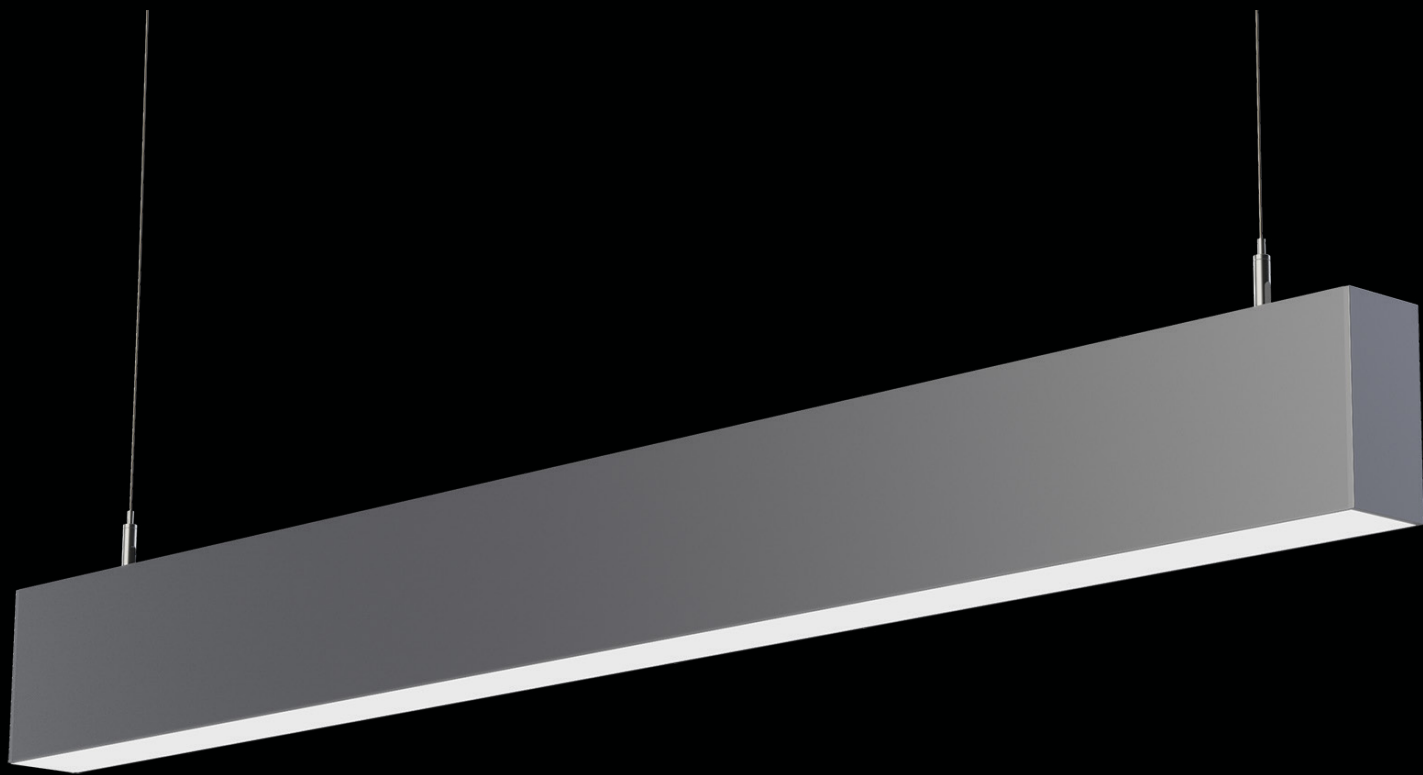
OUTPUT SELECTION	LOW	MEDIUM	HIGH
NOMINAL WATTAGE	7.5W/ft	10W/ft	15W/ft
LUMENS PER FOOT	720	1080	1440
2' LENGTH			
System Wattage	12.00	18.00	24.00
Lumen Output	1440	2160	2880
3' LENGTH			
System Wattage	18.00	27.00	36.00
Lumen Output	2160	3240	4320
4' LENGTH			
System Wattage	24.00	36.00	48.00
Lumen Output	2880	4320	5760
6' LENGTH			
System Wattage	36.00	54.00	72.00
Lumen Output	4320	6480	8640
8' LENGTH			
System Wattage	48.00	72.00	96.00
Lumen Output	5760	8640	11520

Lumen values shown are for 4000K models. For other color temperatures, use the below multipliers: 2700K: 0.85, 3000K: 0.90, 3500K: 0.95

For total system wattage consumption and lumen output, add the direct and indirect lumen and wattage data based on output settings desired.

Lens Options

<p style="text-align: center;">Asymmetric</p> 	<p style="text-align: center;">Drop Lens (Direct) -Available in 1/2" and 2"</p> 
<p style="text-align: center;">Batwing</p> 	<p style="text-align: center;">Louver</p> 



Features:

- Selected by IES for the 2017 Progress Report
- Dual Circuit (DC) option enables independent dimming and control of uplight/downlight
- Up to 1200 lm/ft direct, 1,400 lm/ft indirect at 4000K

Physical:

- Profile Dimensions: 2.44" wide x 5" high
- End Caps: Die cast aluminum with powder coat finish
- Housing: Extruded Aluminum with powder coat finish
- Direct Lens: Extruded Satin Acrylic
- Indirect Lens: Extruded clear Acrylic
- Light Engine: Aluminum core LED board mounted to a white extruded chassis with integral driver and quick electrical disconnects for rapid tool-less servicing
- Weight: 30 pounds (8ft luminaire)

Performance Data Table Chart:

CRI:	95 min with R9 of 69 or better
CCT:	2700K, 3000K, 3500K, 4000K, 5 Channel Color Tuning
Projected Lifetime:	110,000 Hours (L90) 240,000 Hours (L80)
Dimming:	0-10V Dimming Standard,
Operating Temperature:	-30°C to +55°C
Certifications:	ETL Certified to UL 1598 for Dry and Damp Locations

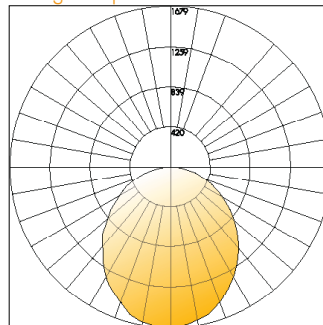
VECTOR 2™

Volumetric Flat Panel Luminaire

The Vector 2 is a 27/16" wide linear architectural luminaire. While the Vector has a slim and discreet profile, it provides excellent illumination for offices, laboratories, libraries, and commercial spaces. Vector is available in standard lengths of 2', 3', 4', 6', and 8', and can be joined together in seamless runs of any length in 1 foot increments.

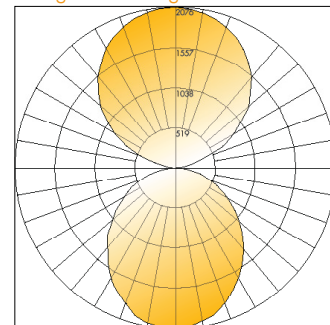
Polar Candela Distribution:

4' High Output 4000K



Delivered Lumens: 4640
CRI: 97

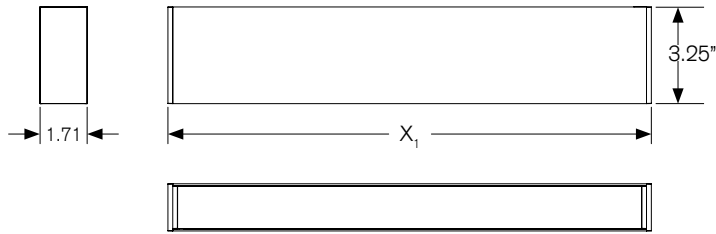
4' High Direct / High Indirect 4000K



Delivered Lumens: 10,400 (4640
Direct / 5760 Indirect)
CRI: 97

For more information, please [CLICK HERE](#)

Dimensions:



	2	3	4	6	8
X_1	24.32"	36.32"	48.32"	72.32"	96.32"

Mounting Options

Pendant	Surface	Wall	Recessed
Recessed T-Bar	Mud-in Flange		

Direct (Down) Lumen Chart:

OUTPUT SELECTION	LOW	MEDIUM	HIGH
NOMINAL WATTAGE	7.5W/ft	10W/ft	15W/ft
LUMENS PER FOOT	570	855	1160
2' LENGTH			
System Wattage	12.00	18.00	24.00
Lumen Output	1140	1700	2320
3' LENGTH			
System Wattage	18.00	27.00	36.00
Lumen Output	1710	2550	3480
4' LENGTH			
System Wattage	24.00	36.00	49.00
Lumen Output	2280	3400	4640
6' LENGTH			
System Wattage	36.00	54.00	72.00
Lumen Output	3420	5100	6960
8' LENGTH			
System Wattage	48.00	72.00	96.00
Lumen Output	4560	6800	9280

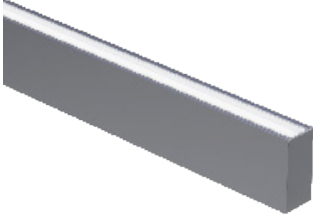
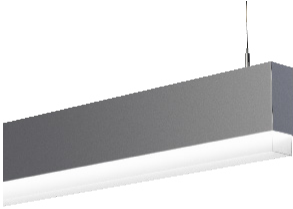
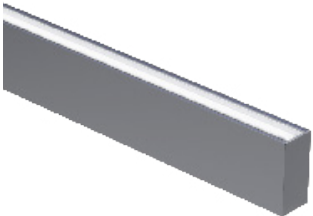
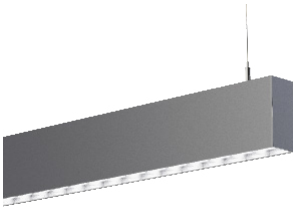
Indirect (Up) Lumen Chart:

OUTPUT SELECTION	LOW	MEDIUM	HIGH
NOMINAL WATTAGE	7.5W/ft	10W/ft	15W/ft
LUMENS PER FOOT	720	1080	1440
2' LENGTH			
System Wattage	12.00	18.00	24.00
Lumen Output	1440	2160	2880
3' LENGTH			
System Wattage	18.00	27.00	36.00
Lumen Output	2160	3240	4320
4' LENGTH			
System Wattage	24.00	36.00	48.00
Lumen Output	2880	4320	5760
6' LENGTH			
System Wattage	36.00	54.00	72.00
Lumen Output	4320	6480	8640
8' LENGTH			
System Wattage	48.00	72.00	96.00
Lumen Output	5760	8640	11520

Lumen values shown are for 4000K models. For other color temperatures, use the below multipliers: 2700K: 0.85, 3000K: 0.90, 3500K: 0.95

For total system wattage consumption and lumen output, add the direct and indirect lumen and wattage data based on output settings desired.

Lens Options

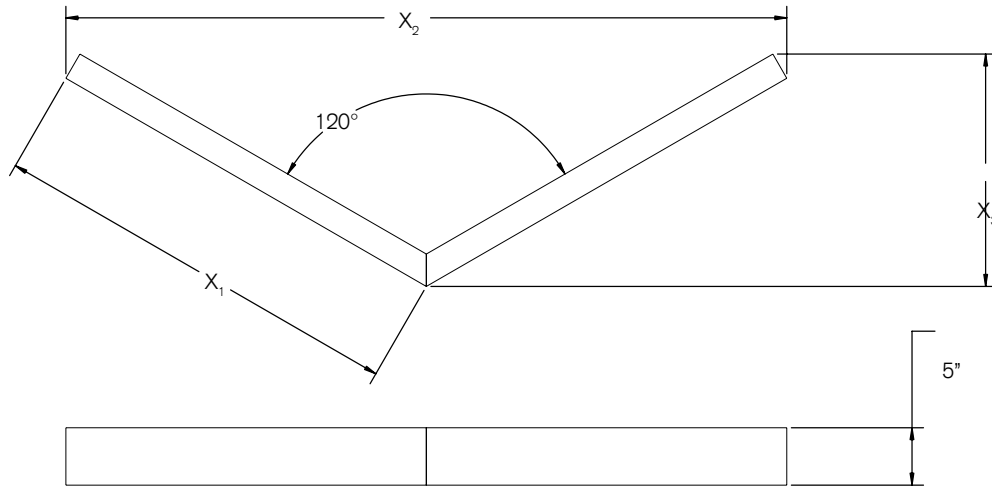
Asymmetric	Drop Lens (Direct) -Available in 1/2" and 2"
	
Batwing	Louver
	

VECTORTM SHAPES



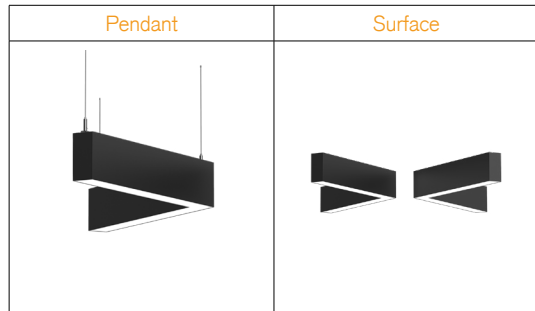


Dimensions



	2'	3'	4'	6'	8'
X_1	24.26"	36.26"	48.26"	72.26"	96.26"
X_2	42.02"	62.80"	83.59"	125.16"	166.73"
X_3	14.24"	20.24"	26.24"	38.24"	50.24"

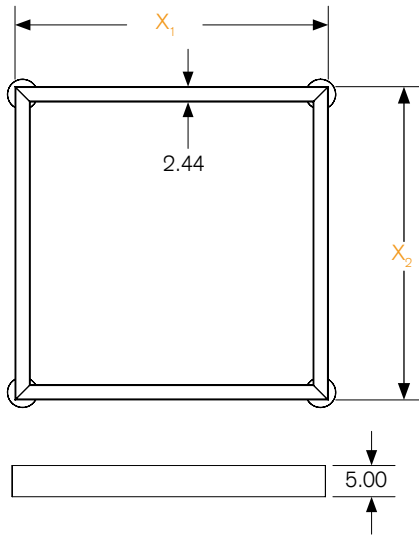
Mounting Options



For more information, please [CLICK HERE](#)

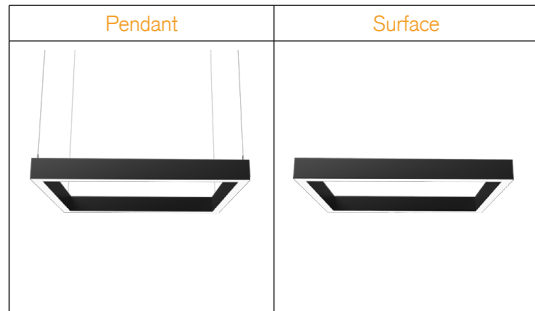


Dimensions

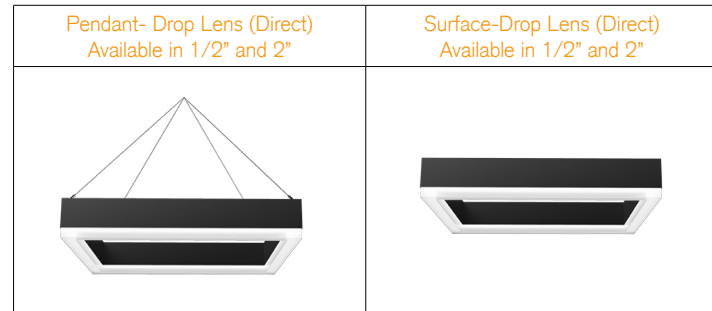


	X_1	X_2
2x2	26.20"	26.20"
2x3	26.20"	38.20"
2x4	26.20"	50.20"
3x3	38.20"	38.20"
3x4	38.20"	50.20"
4x4	50.20"	50.20"

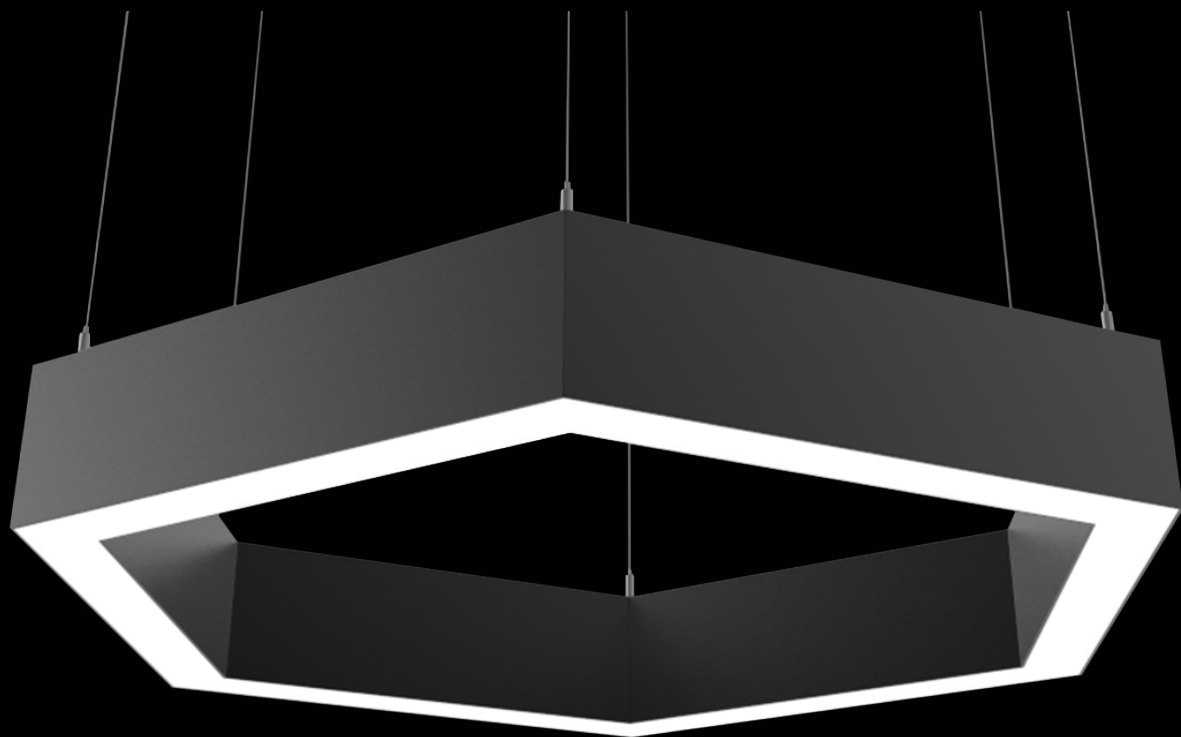
Mounting Options



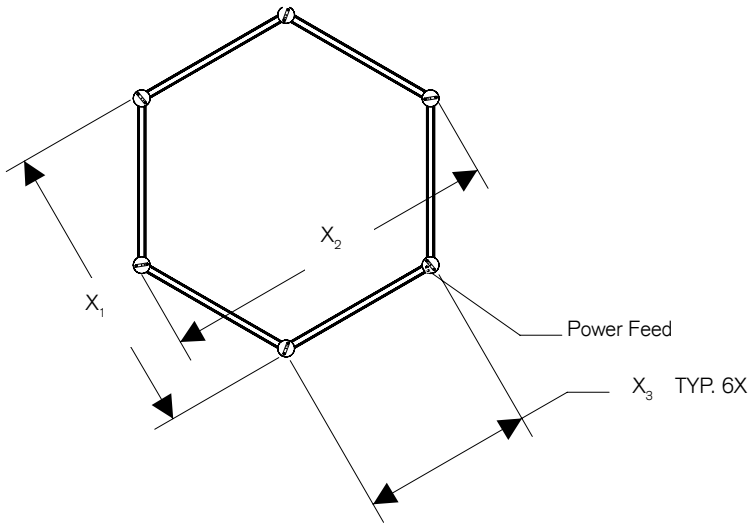
Lens Option



For more information, please [CLICK HERE](#)



Dimensions

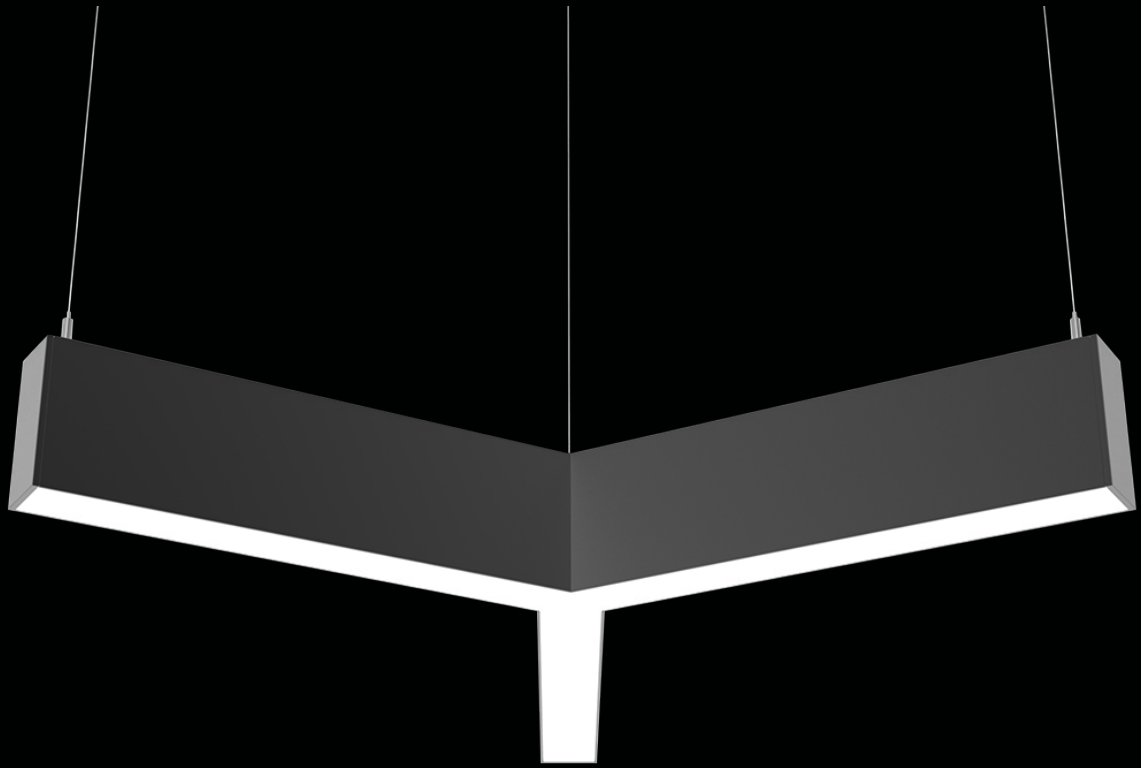


	2'	3'	4'
X_1	52.50"	76.50"	100.50"
X_2	45.47"	66.25"	87.04"
X_3	26.25"	38.25"	50.25"
Y	5.00"	5.00"	5.00"

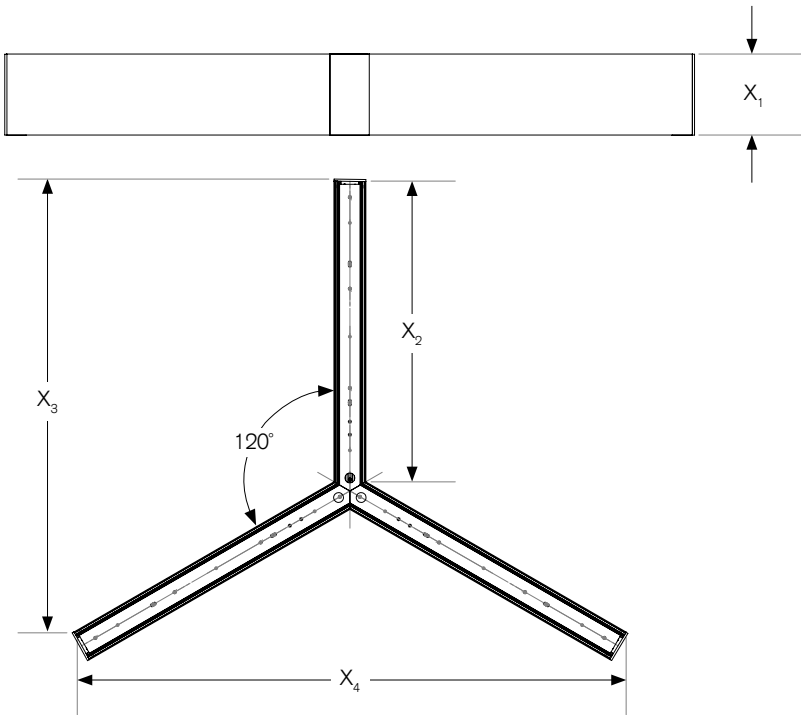
Mounting Options



For more information, please [CLICK HERE](#)

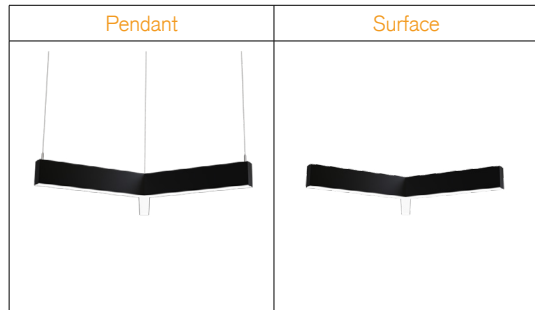


Dimensions



	Arm Size: 2'	Arm Size: 3'	Arm Size: 4'
X_1	5.00	5.00	5.00
X_2	23.04	35.55	47.33
X_3	34.77	53.32	70.94
X_4	42.05	64.01	84.36

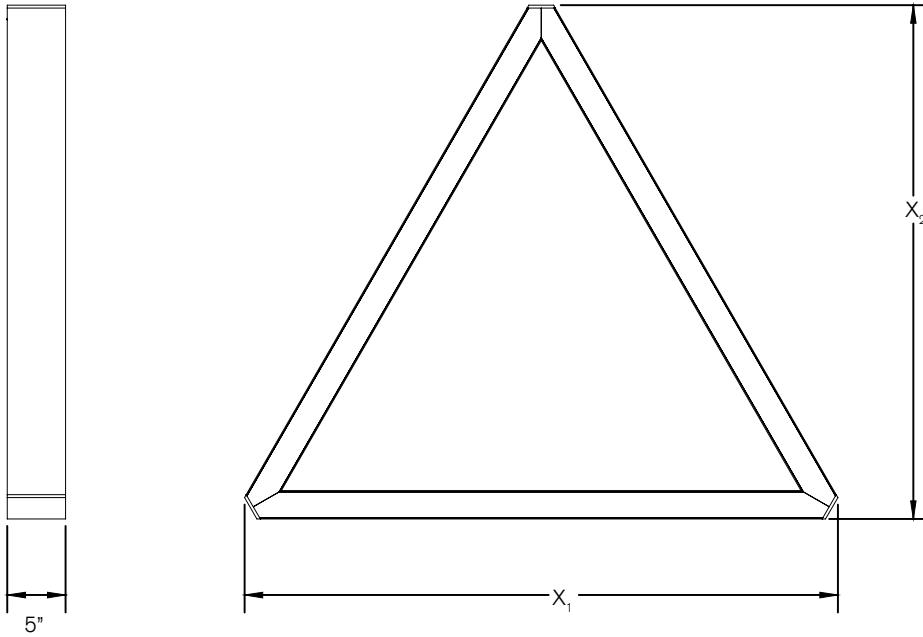
Mounting Options



For more information, please [CLICK HERE](#)

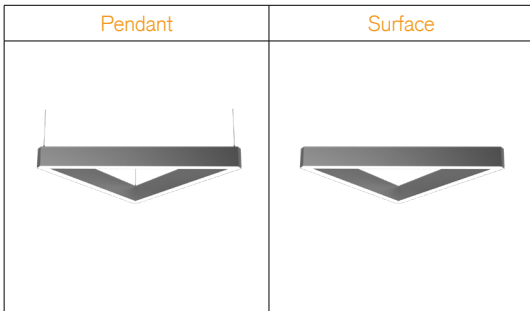


Dimensions

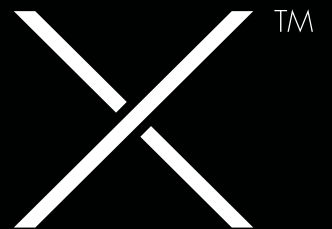
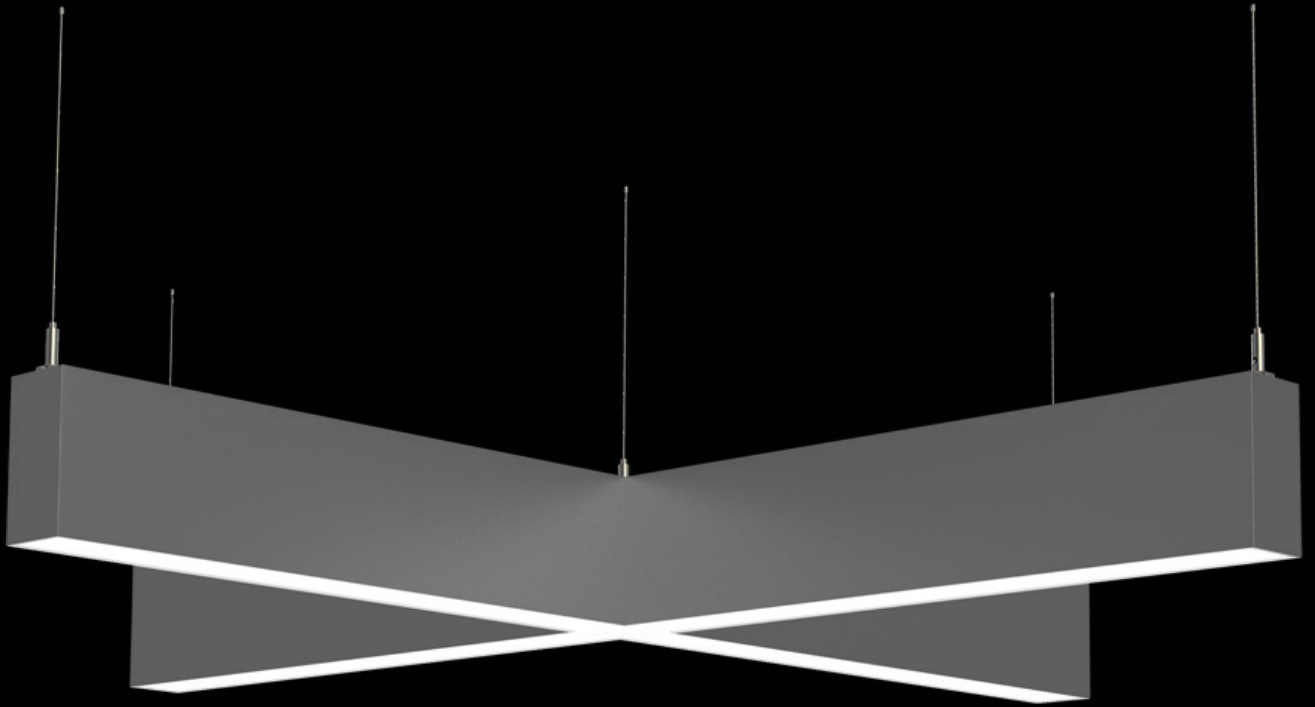


	2	3	4
X_1	26.88"	38.88"	50.88"
X_2	20.06"	32.06"	44.06"

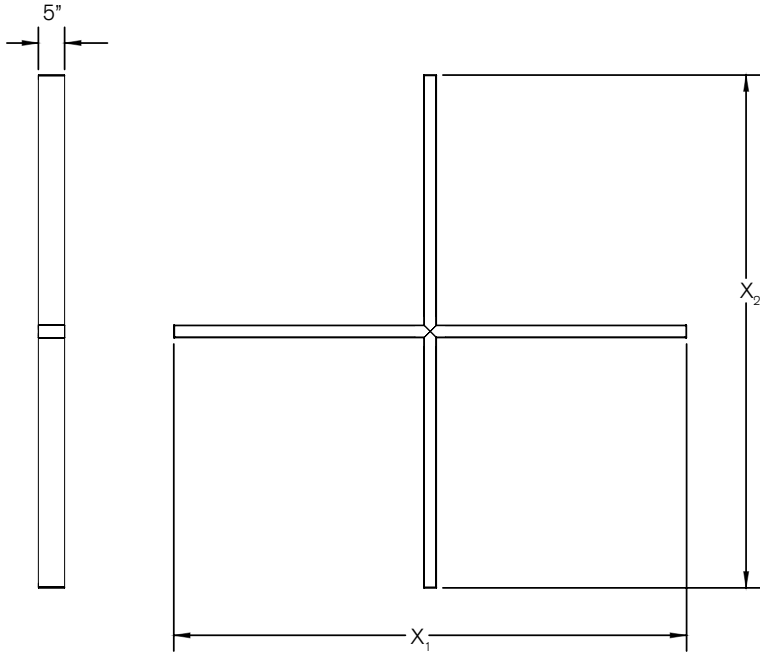
Mounting Options



For more information, please [CLICK HERE](#)

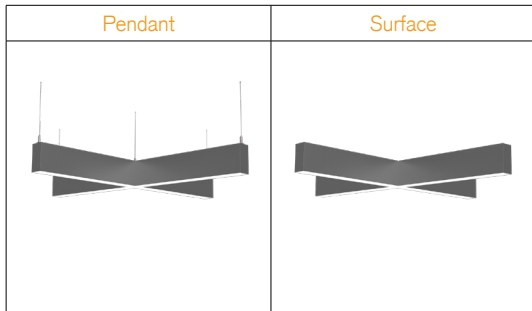


Dimensions



	2'	3'	4'
X_1	49"	73"	97"
X_2	49"	73"	97"

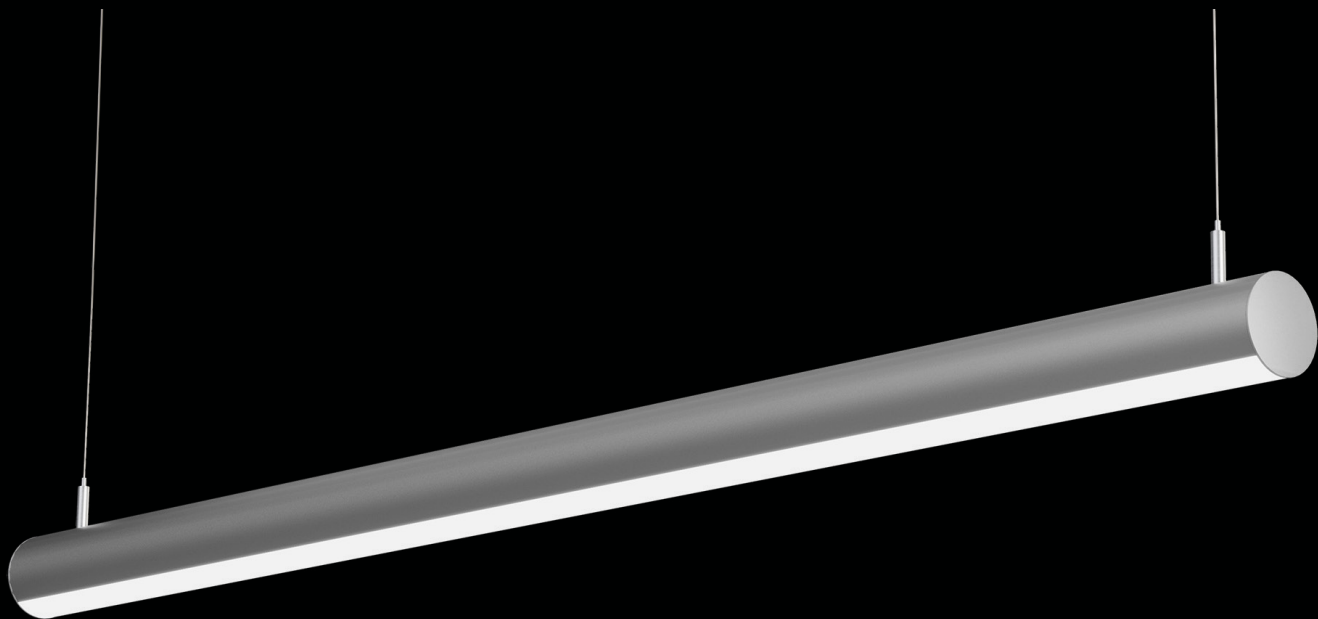
Mounting Options



For more information, please [CLICK HERE](#)

EVIAN™ TUBE





EVIAN TUBE™

Interior Ambient LED Luminaire

Features:

- Delivers up to 1,200 lm/ft at 4000K
- Housing: 2.5" diameter extruded T5-6063 Aluminum with a clear anodized finish
- Housing features an internal integrated screw port for mounting drivers, controllers (for color tuning), end caps, and continuous run joiner hardware.
- Lens: extruded acrylic blend with 80% transmissivity, designed with a snap-fit into the housing
- End caps: powder coated die-cast ADC aluminum; fastened to the housing with an internal galvanized steel pull bracket
- Available Mounting: Pendant, Surface and Wall

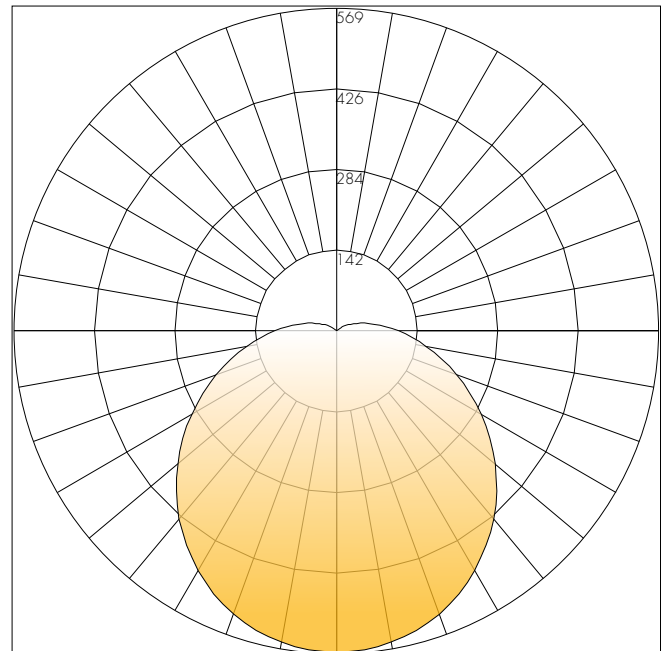
Performance Data Table Chart:

CRI:	90+
CCT:	2700K, 3000K, 3500K, 4000K, 3 Channel Tunable White 5 Channel Color Tuning
Projected Lifetime:	100,000+ Hours (L70)
Dimming:	0-10V Dimming Standard,
Operating Temperature:	-40°C to +50°C

The redesigned Evian Tube is a sleek interior LED luminaire designed to complement the open, minimalist look of modern interior spaces. Featuring a sturdy, extruded aluminum housing, the Evian Tube is a specification-grade luminaire delivering quality illumination through its high-end diffuser lens. The Evian Tube is ideal for commercial, retail, and architectural spaces in both new construction and renovation applications.

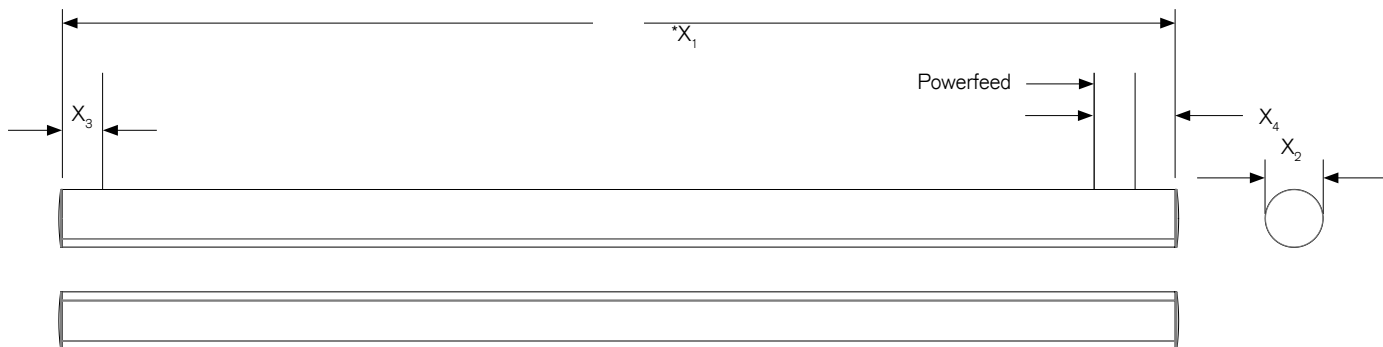
Polar Candela Distribution:

Model: 4' Low Output 4000K • Delivered Lumens: 1892 • CRI: 90



For more information, please [CLICK HERE](#)

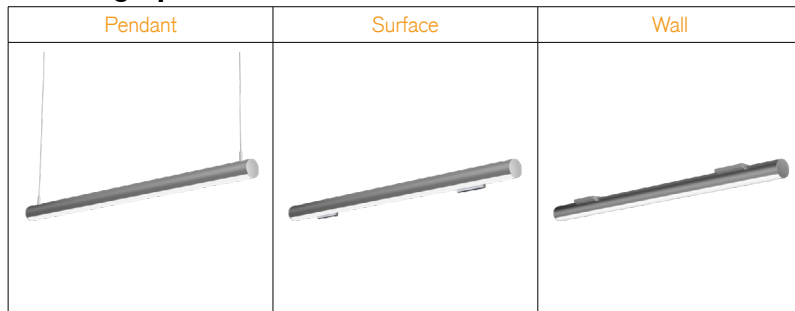
Dimensions:



	Inches				
	Size 2'	Size 3'	Size 4'	Size 6'	Size 8'
X_1	24.00	36.00	48.00	72.00	96.00
\bar{X}_1	24.06	36.06	48.06	72.06	96.06
X_2	Ø2.50	Ø2.50	Ø2.50	Ø2.50	Ø2.50
X_3	1.75	1.75	1.75	1.75	1.75
X_4	3.00	3.00	3.00	3.00	3.00

X_1 = For B, BP₁, and C housings
 \bar{X}_1 = For Standalone and A housings

Mounting Options



Photometrics: Model 4' Low Output 4000K

Coefficients of Utilization • Effective Floor Cavity Reflectance: 20%

RCC%	80				70				50			30			10			0
RW%	70	50	30	0	70	50	30	0	50	30	20	50	30	20	50	30	20	0
RCR:0	118	118	118	118	115	115	115	115	108	108	108	103	103	103	97	97	97	95
1	106	100	95	91	103	98	93	89	92	89	85	87	84	82	83	81	78	76
2	96	87	79	73	92	84	77	72	80	74	69	76	71	67	72	68	65	62
3	87	76	67	60	84	74	65	59	70	63	57	66	61	56	63	58	54	52
4	79	67	57	50	77	65	56	50	62	54	48	59	52	47	56	51	46	44
5	73	59	50	43	70	58	49	43	55	48	42	53	46	41	50	44	40	37
6	67	53	44	37	65	52	43	37	50	42	36	48	41	36	46	40	35	33
7	62	48	39	33	60	47	39	33	45	38	32	43	37	31	42	35	31	29
8	58	44	35	29	56	43	35	29	41	34	29	40	33	28	38	32	28	26
9	54	40	32	26	52	40	32	26	38	31	26	37	30	25	35	29	25	23
10	51	37	29	24	49	36	29	24	35	28	23	34	27	23	33	27	23	21

Zonal Lumen Summary

Zone	Lumens	%Luminaire
0-30	441.04	23.3%
0-40	725.25	38.3%
0-60	1,303.97	68.9%
0-90	1,798.39	95%
90-180	93.95	5%
0-180	1,892.01	100%

Lumen Chart

Size	Sys Watt	3000K	LPW	3500K	LPW	4000K	LPW
1x4	26	2375	91	2392	92	2574	99
	35	3197	91	3220	92	3465	99
2x2	26	2418	93	2444	94	2626	101
	35	3255	93	3290	94	3535	101
2X4	26	2262	87	2288	88	2444	94
	35	3045	87	3080	88	3290	94
	45	3915	87	3960	88	4230	94

TM
M
H
O







Semi-direct Luminaire

Features:

- Up to 1400 lm/ft semi direct illumination (4000K)
- Mounting points slide along top of housing for flexible mounting
- Mounting: 1/16' Aircraft cable.
- Profile dimensions 3.5" x 3.75" tall
- Lengths of 2', 3', 4', 6', 8', and continuous runs
- Housing: Extruded Aluminum with brake formed Cold
- Rolled steel side panels
- End Cap: Die Cast aluminum end cap
- Finish: Electrostatic Powder Coat Paint.
- Optic: Brake formed semi-specular parabolic louver with holographic diffuser.
- Weight: 30 pounds (8ft luminaire)

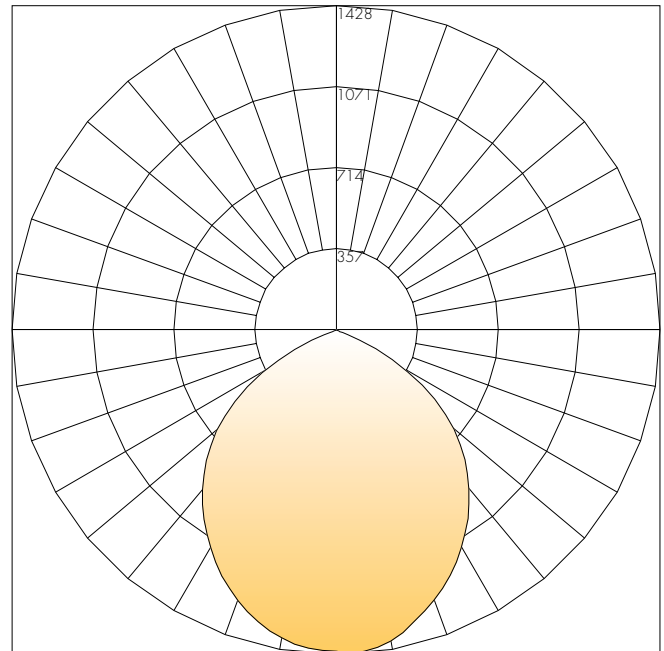
Performance Data Table Chart:

CRI:	90 min with R9 greater than 60
CCT:	2700K, 3000K, 3500K, 4000K, 5 Channel Color Tuning
Projected Lifetime:	159,000 Hours (L70) 98,000 Hours (L80)
Dimming:	0-10V Dimming Standard
Operating Temperature:	-30°C to +55°C (-22°F to +131°F)

OHM is a semi-direct luminaire providing general ambient lighting for office applications. Glare-free direct light is provided by a semi-specular parabolic louver with holographic film diffuser. A small percentage of indirect light is provided by perforated side panels of the luminaire. OHM comes in standalone lengths of 2',3',4', 6' and 8', as well as continuous runs based on 8' lengths, with 1' increments at the end of the run.

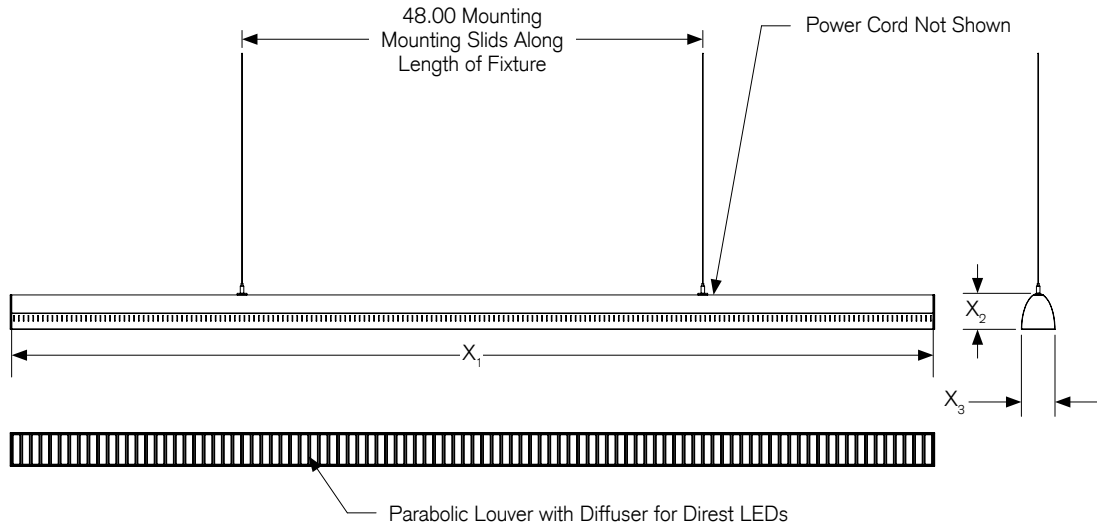
Polar Candela Distribution:

Model: 4' high Output 4000K • Delivered Lumens: 3,238



For more information, please [CLICK HERE](#)

Dimensions:



	Inches				
	Size 2	Size 3	Size 4	Size 6	Size 8
X_1	24.00	36.00	48.00	72.00	96.00
X_2	3.750	3.750	3.750	3.750	3.750
X_3	3.50	3.50	3.50	3.50	3.50

Photometrics: Model 4' High Output 4000K

Coefficients of Utilization • Effective Floor Cavity Reflectance: 20%

RCC%	80				70				50			30			10			0
RW%	70	50	30	0	70	50	30	0	50	30	20	50	30	20	50	30	20	0
RCR:0	118	118	118	118	115	115	115	115	110	110	110	104	104	104	100	100	100	97
1	110	106	103	100	107	104	101	98	99	97	94	95	93	91	91	89	88	86
2	102	95	89	84	99	93	88	83	89	85	81	86	82	79	82	79	77	75
3	94	85	78	72	91	83	77	71	80	74	70	77	72	68	74	70	67	65
4	87	76	68	63	84	75	68	62	72	66	61	69	64	60	67	63	59	57
5	80	69	61	55	78	67	60	54	65	59	53	63	57	53	62	56	52	50
6	74	62	54	48	72	61	53	48	59	52	47	57	52	47	56	50	46	44
7	69	57	49	43	67	56	48	43	54	47	42	52	46	42	51	45	41	39
8	64	52	44	39	63	51	44	38	50	43	38	48	42	38	47	41	37	35
9	60	48	40	35	59	47	40	35	46	39	34	44	38	34	43	38	34	32
10	57	44	37	32	55	43	36	32	42	36	31	41	35	31	40	35	31	29

Zonal Lumen Summary

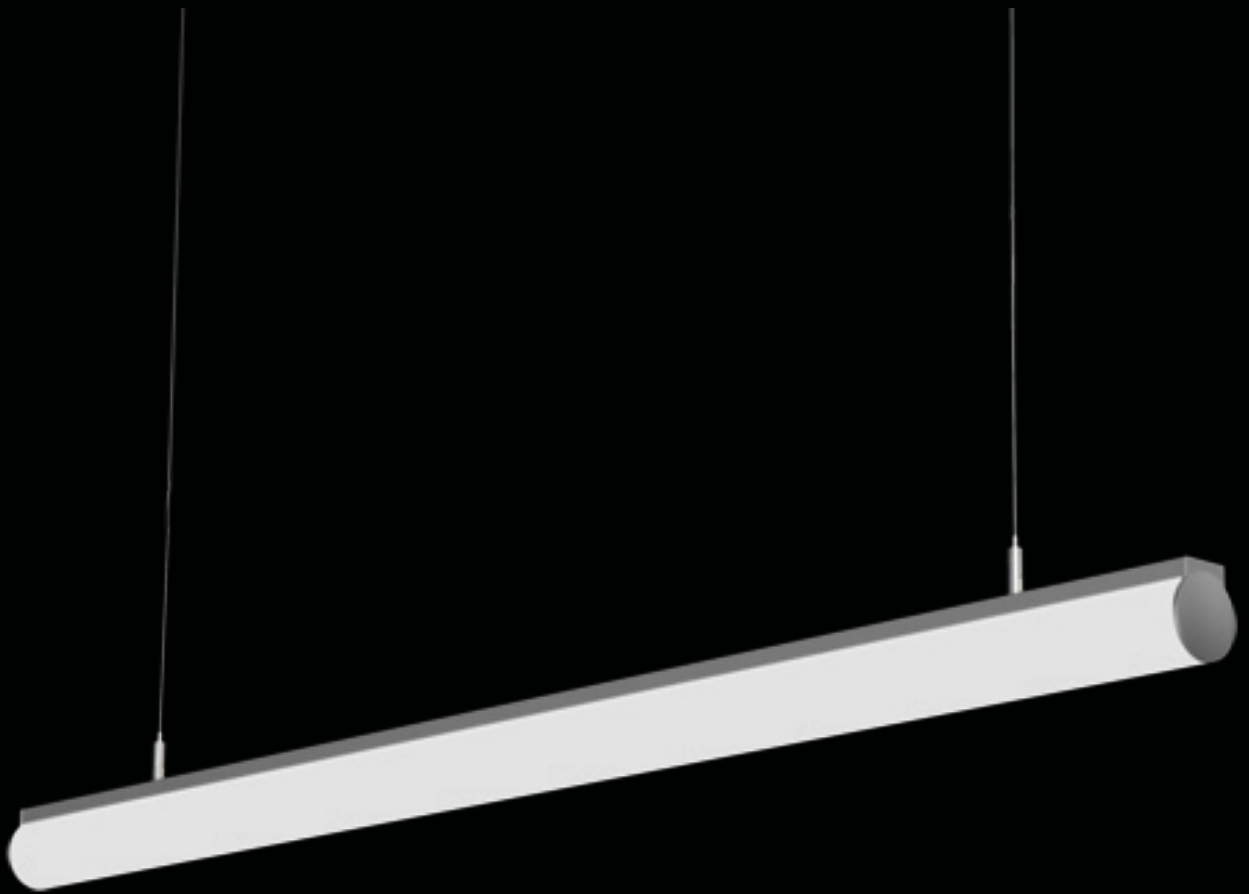
Zone	Lumens	%Luminaire
0-30	1084.57	33.50%
0-40	1764.06	54.50%
0-60	2904.4	89.70%
0-90	3151.43	97.30%
90-180	86.20	2.7%
0-180	3237.62	100%

Lumen Chart

4' Model	HIGH (15W/ft)	MID (10W/ft)	LOW (7.5W/ft)
2700K	3107	2543	1858
LPW	73	72	71
3000K	3139	2569	1877
LPW	73	73	72
3500K	3171	2596	1896
LPW	74	74	73
4000K	3236	2649	1922
LPW	76	75	74

solTM





Features:

- Delivers up to 105 lm/W at 4000K
- Housing: 9/16" x 1.5" extruded T5-6063 Aluminum with a clear anodized finish
- Designed for a remotely-mounted driver with a low-voltage power drop.
- Housing features an internal screw channel for mounting the LED board, 2 internal L channels to slide the lens into the housing, and an external T channel on the top side to slide the mounting hardware.
- Power cord is a Deco-designed, Deco-specific over-molded 2 conductor cable with an integrated strain-relief and wire harness.
- Lens: extruded acrylic blend with 80% transmissivity, designed with a slide fit into the housing.
- End caps and mounting hardware are die-cast ADC aluminum. The mounting hardware can slide to the desired position and is locked with internal set screws.

Performance Data Table Chart:

CRI:	90+
CCT:	2700K, 3000K, 3500K, 4000K
Projected Lifetime:	245,000 Hours (L80); 104,000 Hours (L90)
Dimming:	0-10V Dimming Standard
Operating Temperature:	-40°C to +50°C Ambient

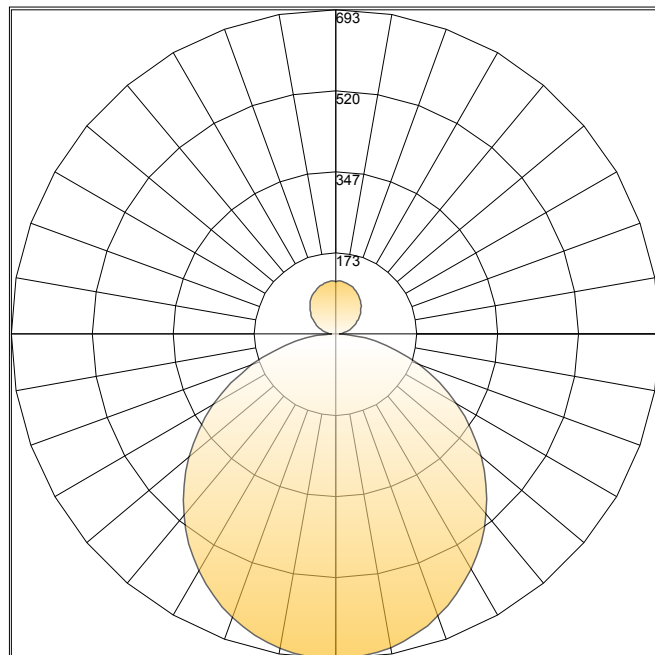
solo[™]

Interior Ambient LED Luminaire

Solo Pendant is a semi-direct interior ambient luminaire featuring a modern aesthetic with an incredibly small profile. Paired with a high-end diffuser lens that delivers smooth illumination free of dark spots and pixilation, the Solo is the premier architectural luminaire for today's interior spaces.

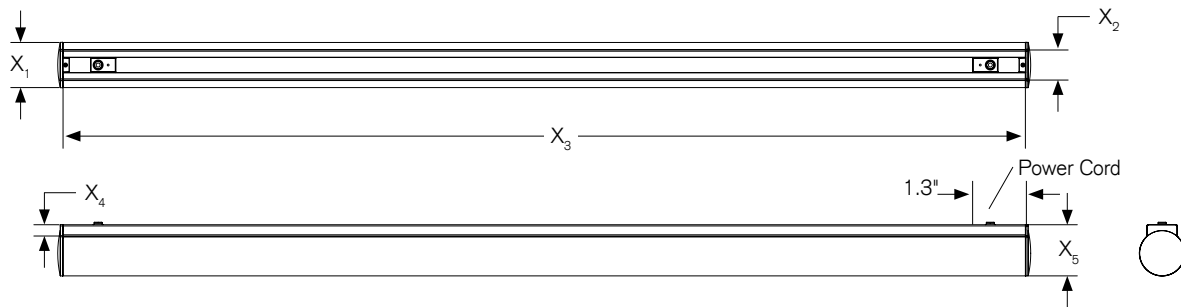
Polar Candela Distribution:

Model: 4' High Output 3500K



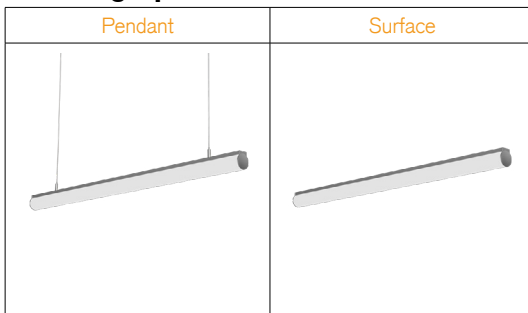
For more information, please [CLICK HERE](#)

Dimensions:



	2ft	3ft	4ft	6ft	8ft
X_1	ø2.25"	ø2.25"	ø2.25"	ø2.25"	ø2.25"
X_2	1.50"	1.50"	1.50"	1.50"	1.50"
X_3	24.30"	36.3"	48.30"	72.30"	96.30"
X_4	0.5625"	0.5625"	0.5625"	0.5625"	0.5625"
X_5	2.55"	2.55"	2.55"	2.55"	2.55"

Mounting Options



Photometrics: Model 4' Low Output 4000K

Coefficients of Utilization • Effective Floor Cavity Reflectance: 20%

RCC%	80				70				50			30			10			0
RW%	70	50	30	0	70	50	30	0	50	30	20	50	30	20	50	30	20	0
RCR:0	1.12	1.12	1.12	1.12	1.06	1.06	1.06	.71	.95	.95	.95	.85	.85	.85	.75	.75	.75	.71
1	.99	.93	.87	.82	.93	.87	.83	.53	.78	.74	.70	.69	.66	.63	.61	.58	.56	.52
2	.88	.79	.71	.64	.83	.74	.67	.42	.66	.60	.55	.58	.54	.50	.51	.48	.44	.41
3	.80	.68	.59	.52	.75	.64	.56	.34	.57	.50	.45	.50	.45	.41	.44	.40	.36	.33
4	.73	.60	.50	.43	.68	.56	.48	.29	.50	.43	.37	.44	.39	.34	.39	.34	.30	.27
5	.66	.53	.43	.36	.62	.50	.41	.24	.45	.37	.32	.39	.34	.29	.35	.30	.26	.23
6	.61	.47	.38	.31	.57	.45	.36	.21	.40	.33	.27	.35	.29	.25	.31	.26	.22	.20
7	.56	.43	.34	.27	.53	.40	.32	.19	.36	.29	.24	.32	.26	.22	.28	.23	.20	.17
8	.52	.39	.30	.24	.49	.37	.29	.17	.33	.26	.21	.29	.24	.19	.26	.21	.17	.15
9	.49	.35	.27	.21	.46	.33	.26	.15	.30	.23	.19	.27	.21	.17	.24	.19	.16	.14
10	.46	.32	.24	.19	.43	.31	.23	.13	.28	.21	.17	.25	.19	.15	.22	.18	.14	.12


Lumen Chart:

OUTPUT SELECTION	LOW	MEDIUM	HIGH
NOMINAL WATTAGE	6.4W/ft	9.6W/ft	12.8W/ft
LUMENS PER FOOT	353	526	692
2' LENGTH			
System Wattage	12.00	19.00	24.00
Lumen Output	1188	1862	2328
3' LENGTH			
System Wattage	19.00	28.00	38.00
Lumen Output	1881	2744	3686
4' LENGTH			
System Wattage	23.00	36.00	43.00
Lumen Output	2277	3528	4171
6' LENGTH			
System Wattage	38.00	57.00	76.00
Lumen Output	3762	5586	7372
8' LENGTH			
System Wattage	46.00	72.00	86.00
Lumen Output	4554	7056	8342

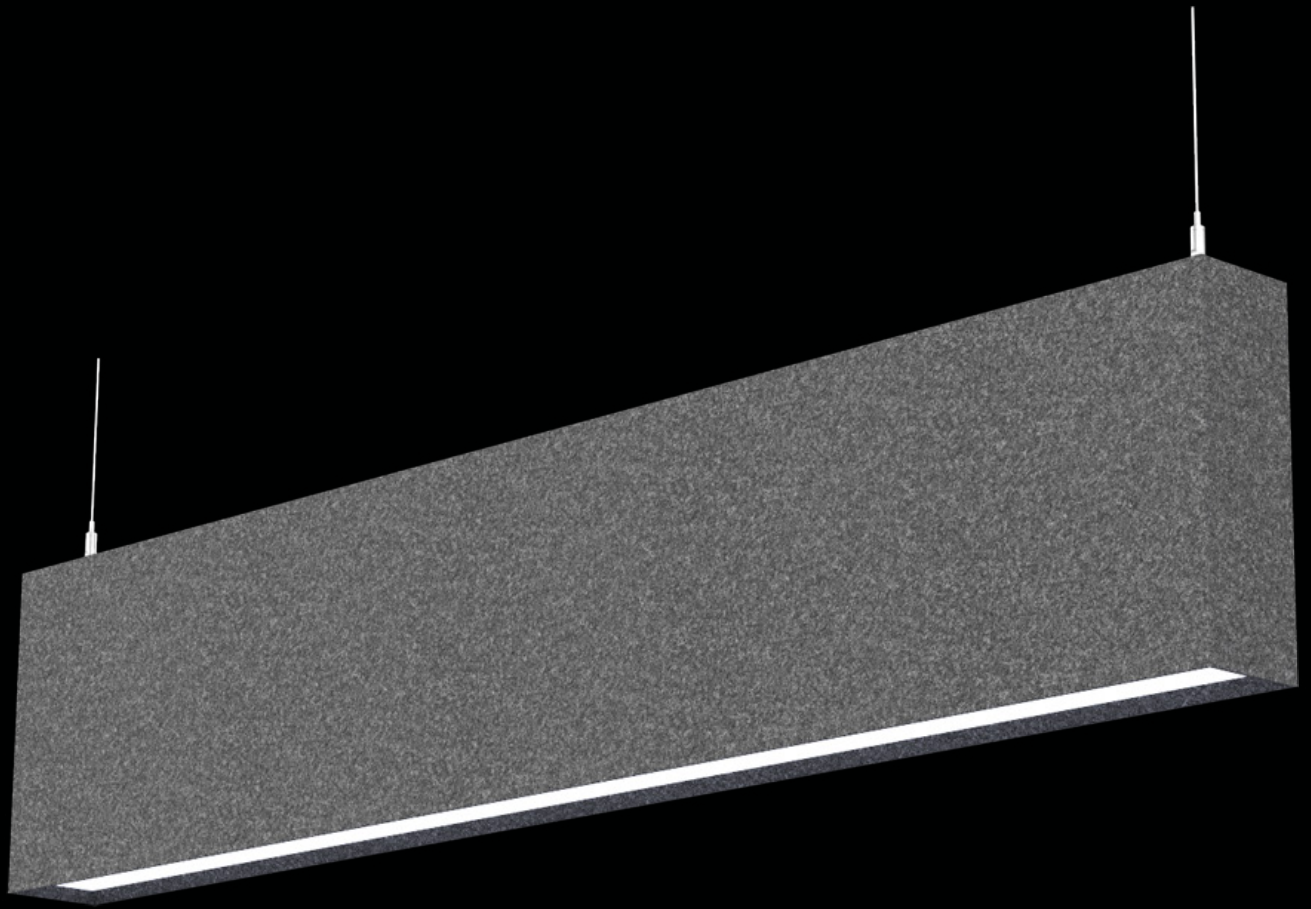
Zonal Lumen Summary

Zone	Lumens	%Luminaire
0-30	552.02	13.2%
0-40	928.67	22.3%
0-60	1795.62	43.1%
0-80	2615.6	62.7%
0-90	2954.04	70.9%
90-120	741.95	17.8%
90-180	1214.86	29.1%
0-180	4168.9	100%

Lumen values are in 3500K. For other color temperatures use the below multipliers. 4000K: 1.01, 3000K: 0.91, 2700K: 0.90

DECO  ACUSTICO™

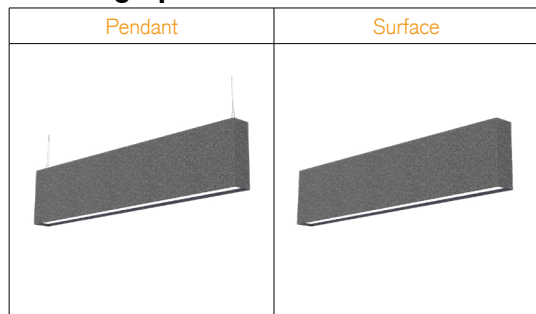




Features

- NRC (SOUND ABSORPTION RATING): ASTM C423-90A
- Standard EchoPanel NRC acoustic data is available for acoustic calculations.
- Please contact Deco for this test data.
- Fire Rating ASTM E84 Class A
- VOC Emissions CDPH (CA 01350) Compliant; TVOC: <0.5 mg/m3
- Ecospecifier GreenTag Compliant;
- TVOC: 0.015 mg/m2/hr (ASTM D5116)

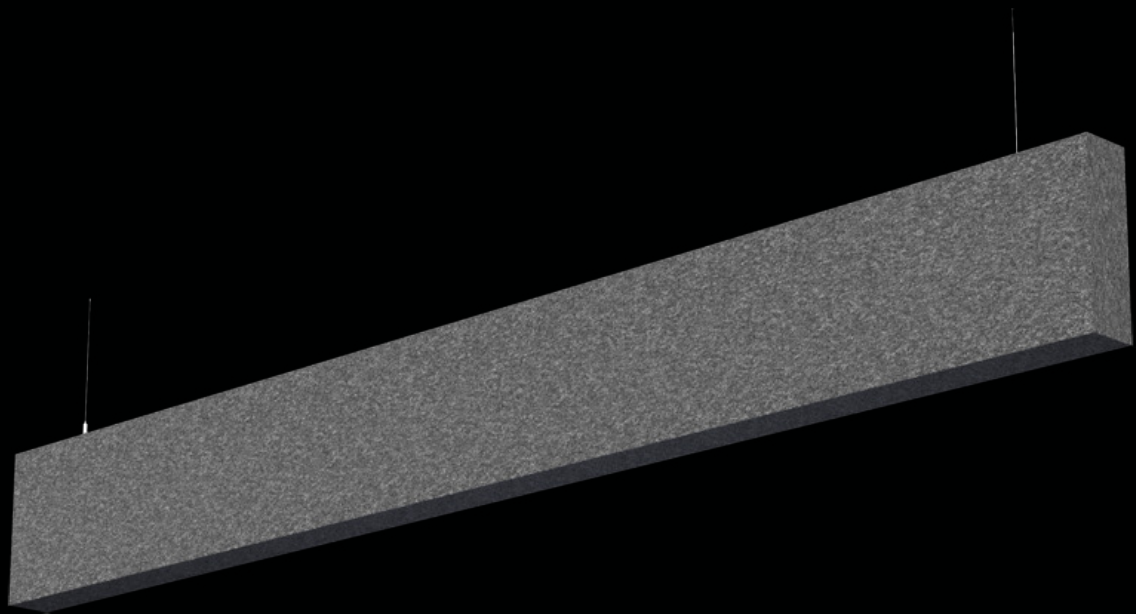
Mounting Options



Specialized Colors



For more information, please [CLICK HERE](#)



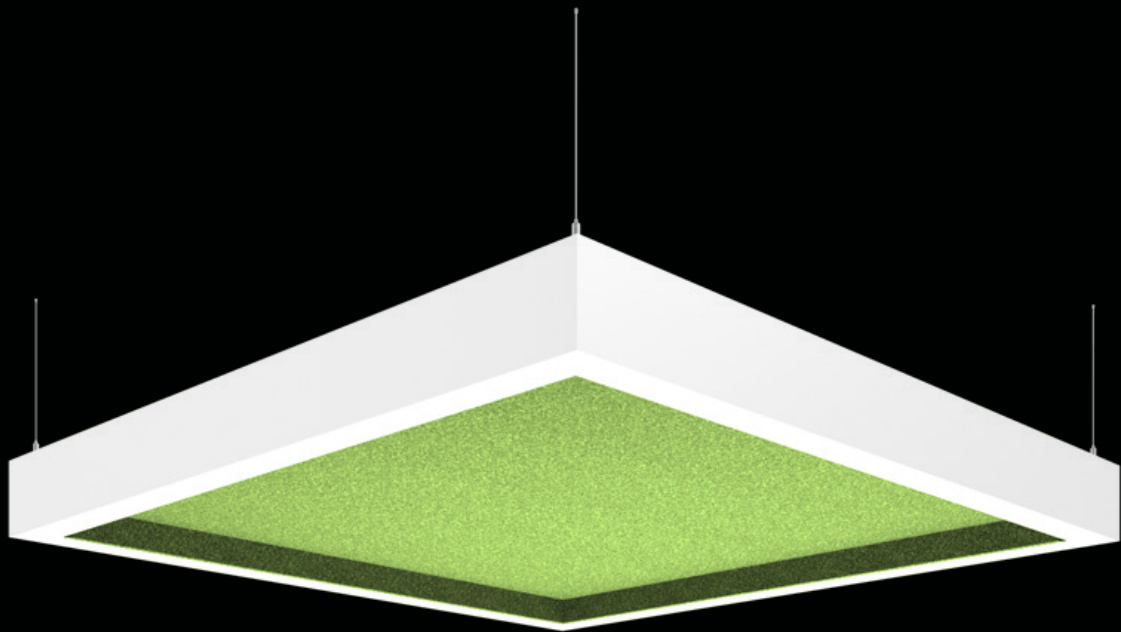
Features

- NRC (SOUND ABSORPTION RATING): ASTM C423-90A
- Standard EchoPanel NRC acoustic data is available for acoustic calculations.
- Please contact Deco for this test data.
- Fire Rating ASTM E84 Class A
- VOC Emissions CDPH (CA 01350) Compliant; TVOC: <0.5 mg/m³
- Ecospecifier GreenTag Compliant;
- TVOC: 0.015 mg/m²/hr (ASTM D5116)

Specialized Colors



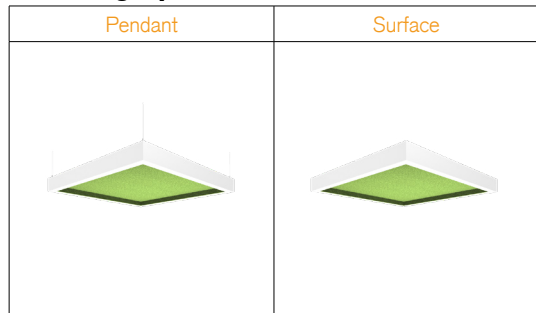
For more information, please [CLICK HERE](#)



Features

- NRC (SOUND ABSORPTION RATING): ASTM C423-90A
- Standard EchoPanel NRC acoustic data is available for acoustic calculations.
- Please contact Deco for this test data.
- Fire Rating ASTM E84 Class A
- VOC Emissions CDPH (CA 01350) Compliant; TVOC: <0.5 mg/m³
- Ecospecifier GreenTag Compliant;
- TVOC: 0.015 mg/m²/hr (ASTM D5116)

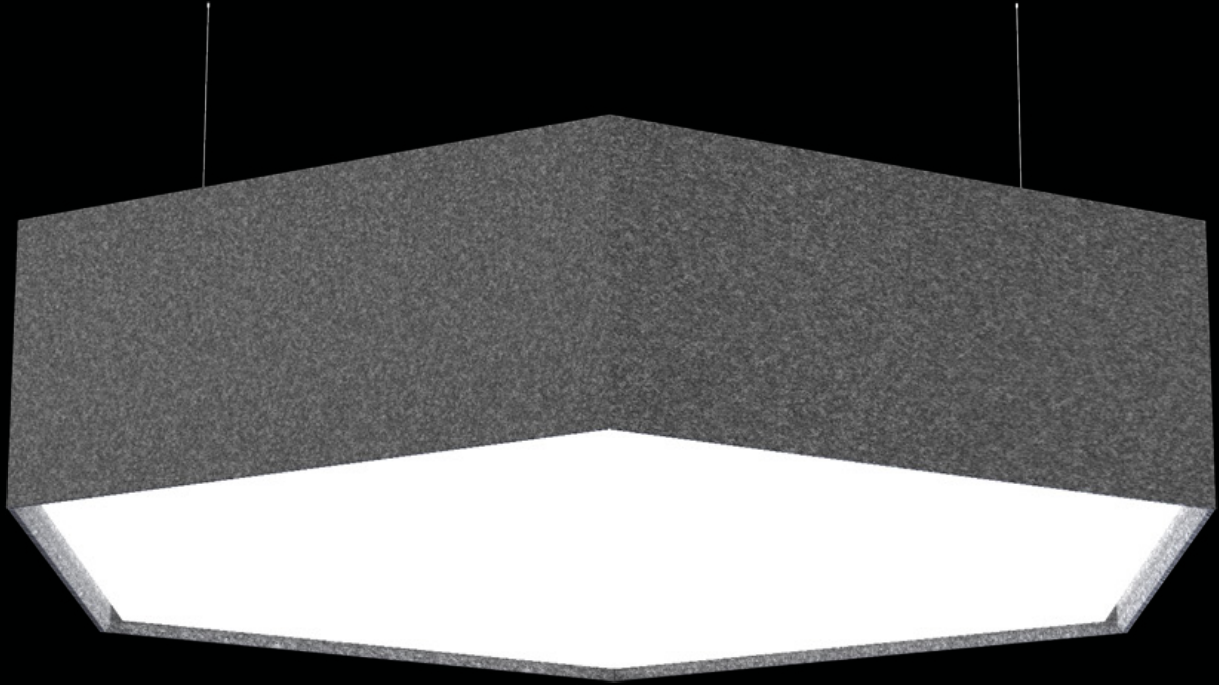
Mounting Options



Specialized Colors



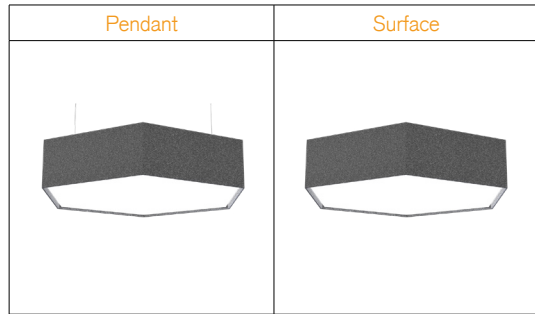
For more information, please [CLICK HERE](#)



Features

- NRC (SOUND ABSORPTION RATING): ASTM C423-90A
- Standard EchoPanel NRC acoustic data is available for acoustic calculations.
- Please contact Deco for this test data.
- Fire Rating ASTM E84 Class A
- VOC Emissions CDPH (CA 01350) Compliant; TVOC: <0.5 mg/m3
- Ecospecifier GreenTag Compliant;
- TVOC: 0.015 mg/m2/hr (ASTM D5116)

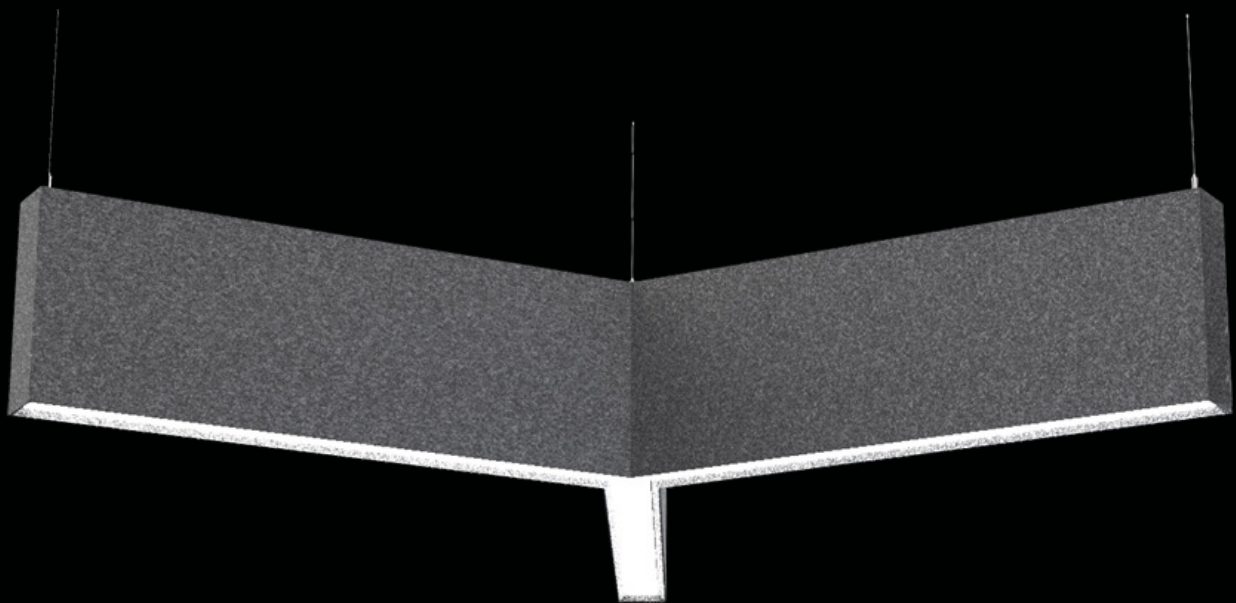
Mounting Options



Specialized Colors



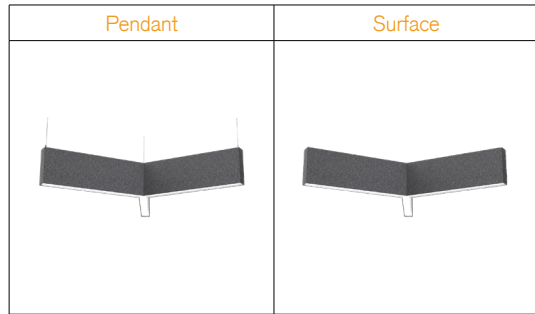
More information coming soon!



Features

- NRC (SOUND ABSORPTION RATING): ASTM C423-90A
- Standard EchoPanel NRC acoustic data is available for acoustic calculations.
- Please contact Deco for this test data.
- Fire Rating ASTM E84 Class A
- VOC Emissions CDPH (CA 01350) Compliant; TVOC: <0.5 mg/m³
- Ecospecifier GreenTag Compliant;
- TVOC: 0.015 mg/m²/hr (ASTM D5116)

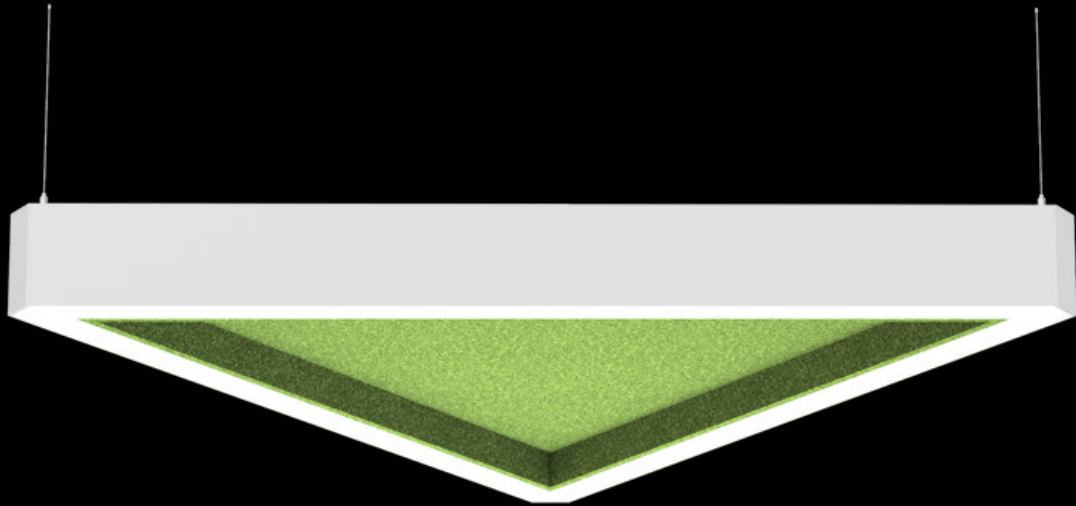
Mounting Options



Specialized Colors



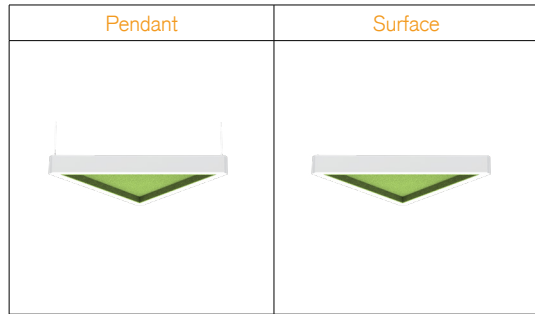
For more information, please [CLICK HERE](#)



Features

- NRC (SOUND ABSORPTION RATING): ASTM C423-90A
- Standard EchoPanel NRC acoustic data is available for acoustic calculations.
- Please contact Deco for this test data.
- Fire Rating ASTM E84 Class A
- VOC Emissions CDPH (CA 01350) Compliant; TVOC: <0.5 mg/m³
- Ecospecifier GreenTag Compliant;
- TVOC: 0.015 mg/m²/hr (ASTM D5116)

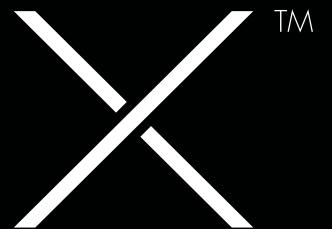
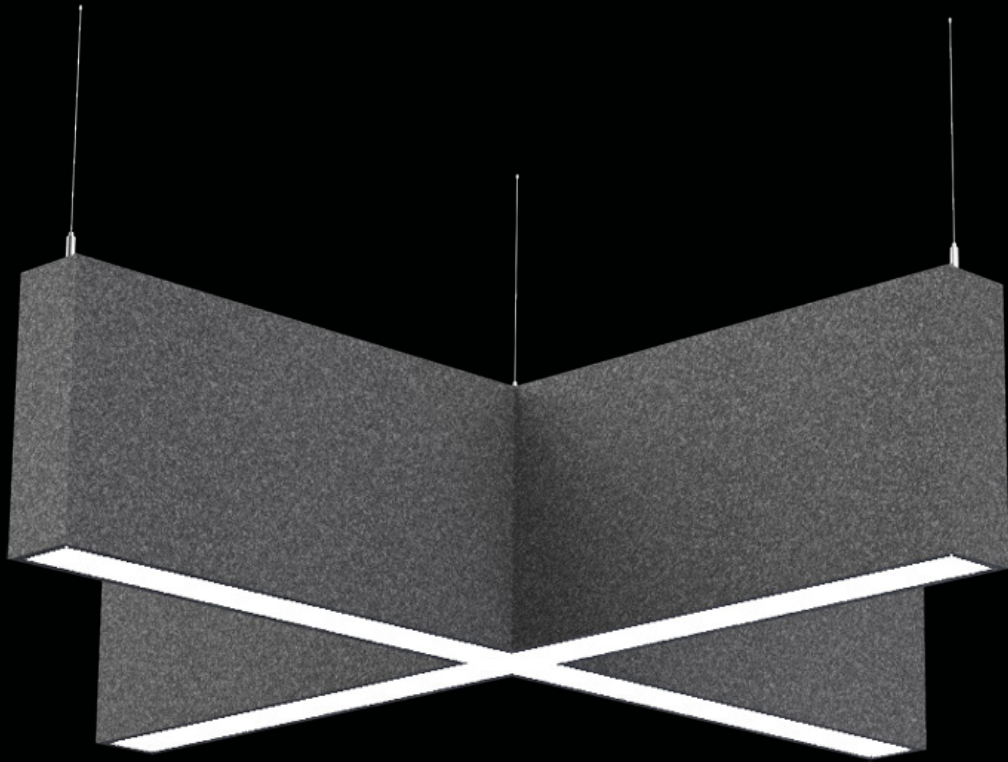
Mounting Options



Specialized Colors



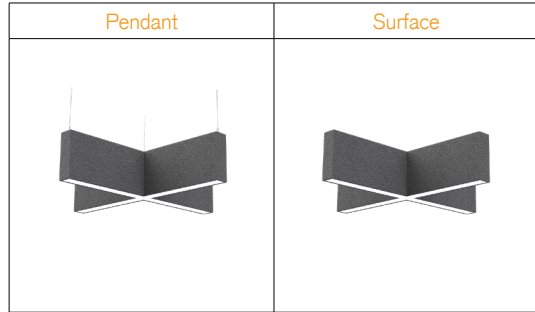
More information coming soon!



Features

- NRC (SOUND ABSORPTION RATING): ASTM C423-90A
- Standard EchoPanel NRC acoustic data is available for acoustic calculations.
- Please contact Deco for this test data.
- Fire Rating ASTM E84 Class A
- VOC Emissions CDPH (CA 01350) Compliant; TVOC: <0.5 mg/m³
- Ecospecifier GreenTag Compliant;
- TVOC: 0.015 mg/m²/hr (ASTM D5116)

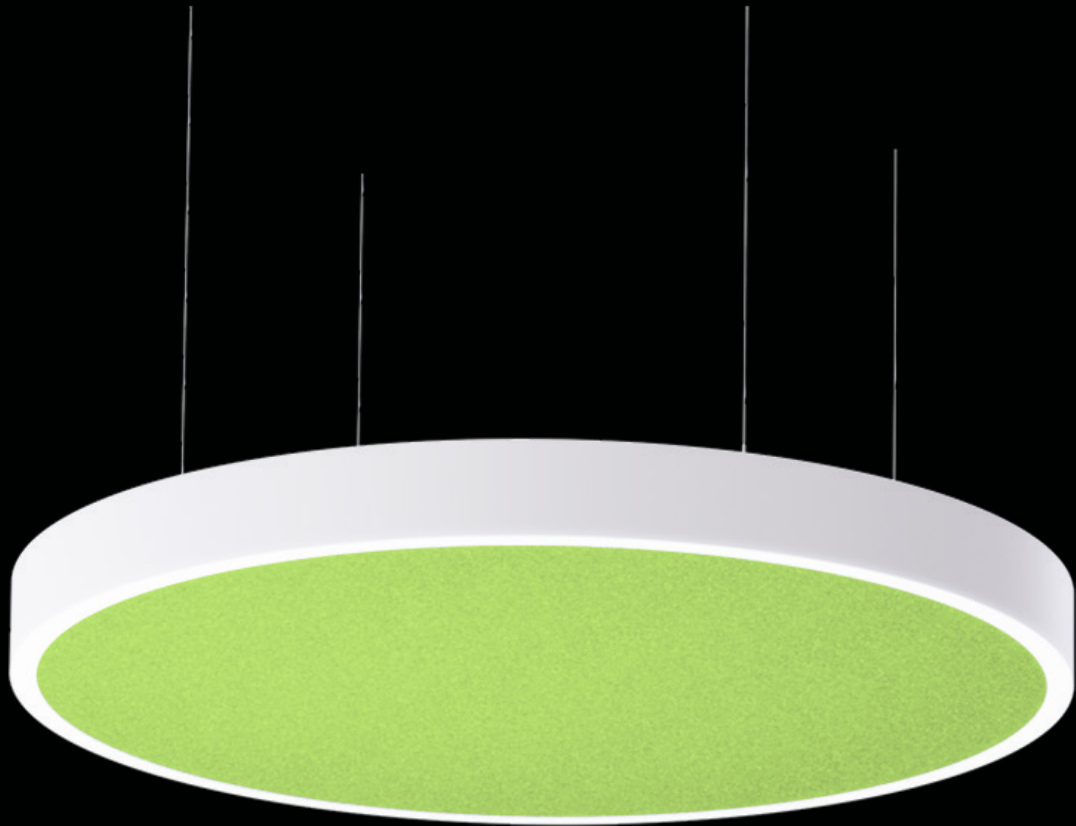
Mounting Options



Specialized Colors



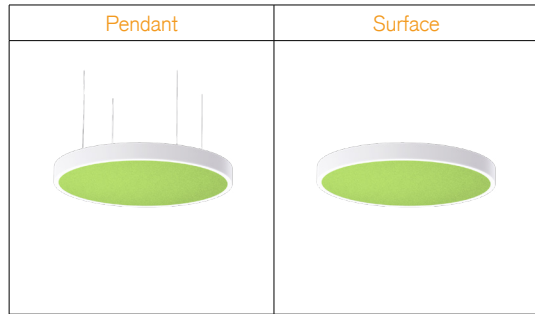
For more information, please [CLICK HERE](#)



Features

- NRC (SOUND ABSORPTION RATING): ASTM C423-90A
- Standard EchoPanel NRC acoustic data is available for acoustic calculations.
- Please contact Deco for this test data.
- Fire Rating ASTM E84 Class A
- VOC Emissions CDPH (CA 01350) Compliant; TVOC: <0.5 mg/m3
- Ecospecifier GreenTag Compliant;
- TVOC: 0.015 mg/m2/hr (ASTM D5116)

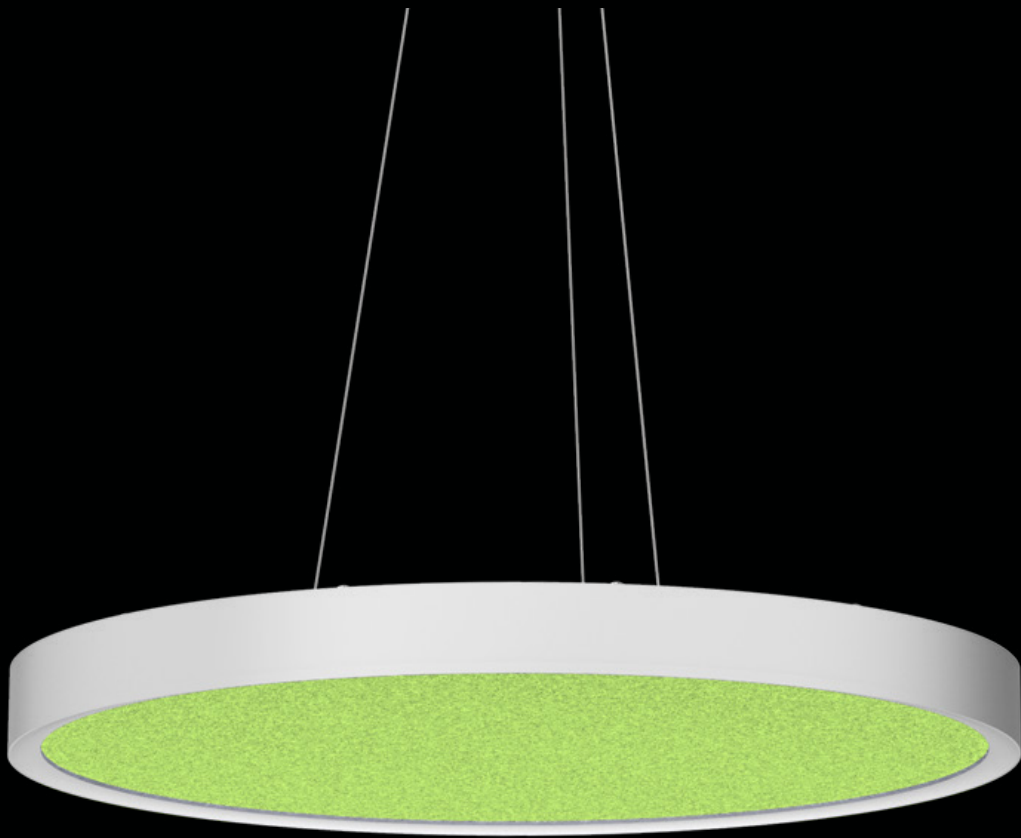
Mounting Options



Specialized Colors



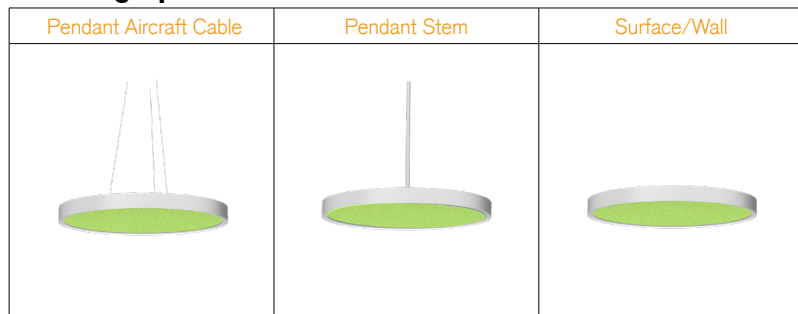
For more information, please [CLICK HERE](#)



Features

- NRC (SOUND ABSORPTION RATING): ASTM C423-90A
- Standard EchoPanel NRC acoustic data is available for acoustic calculations.
- Please contact Deco for this test data.
- Fire Rating ASTM E84 Class A
- VOC Emissions CDPH (CA 01350) Compliant; TVOC: <0.5 mg/m³
- Ecospecifier GreenTag Compliant;
- TVOC: 0.015 mg/m²/hr (ASTM D5116)

Mounting Options



Specialized Colors



For more information, please [CLICK HERE](#)